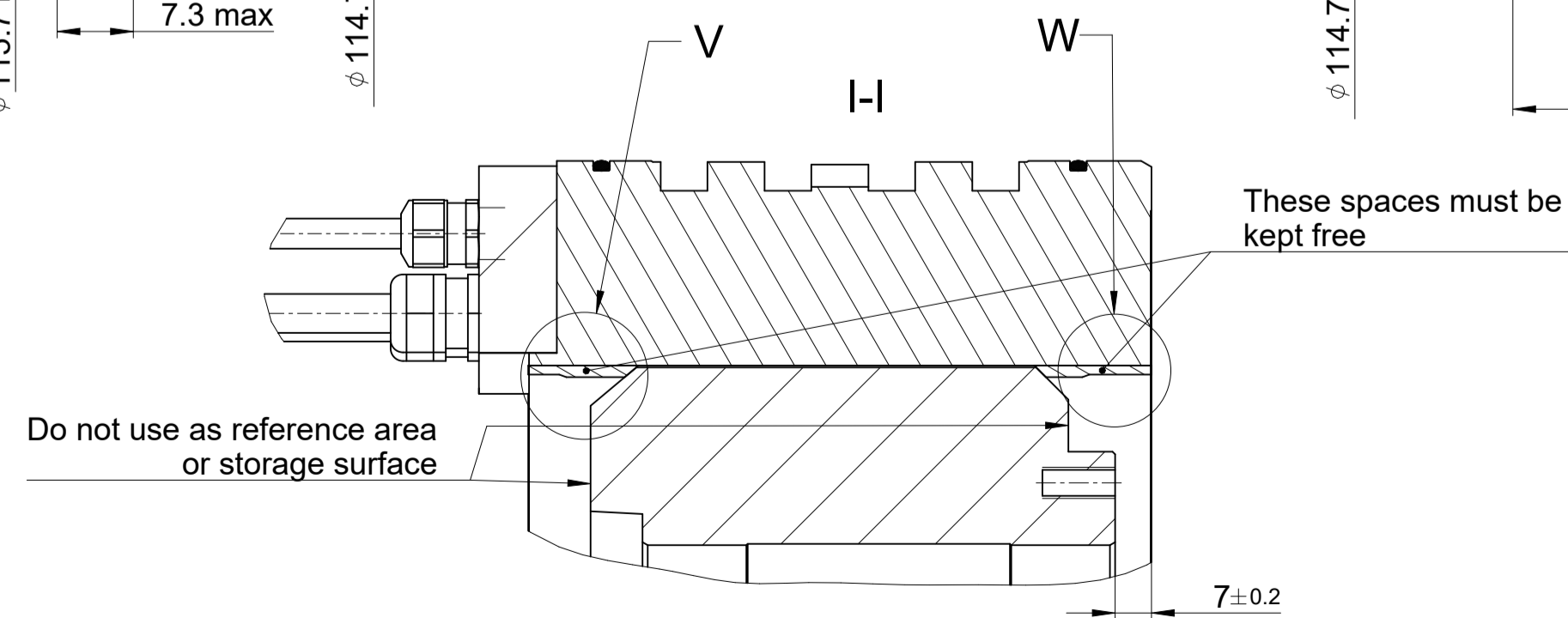
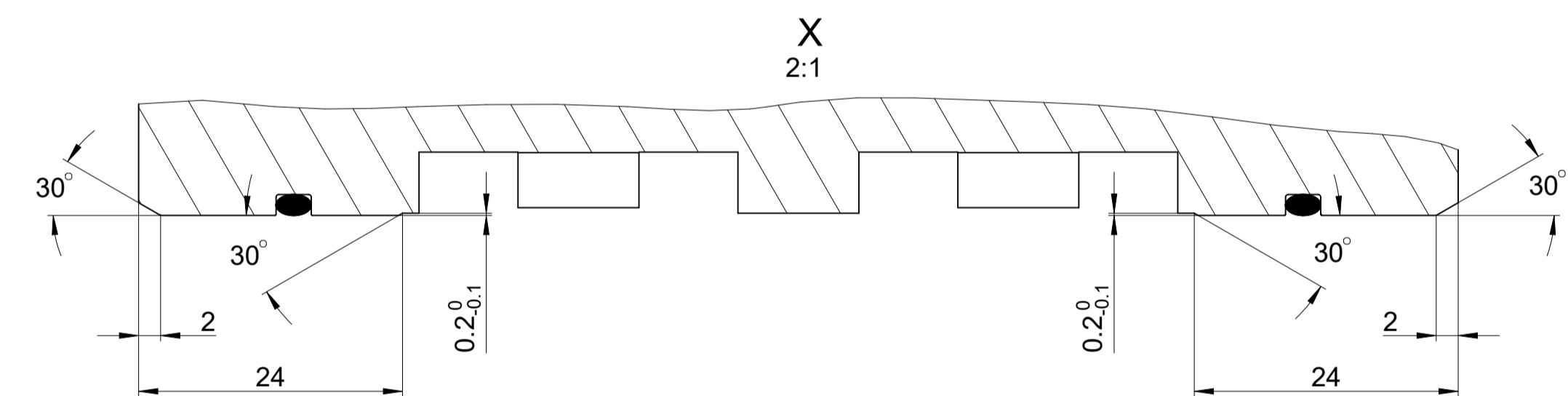
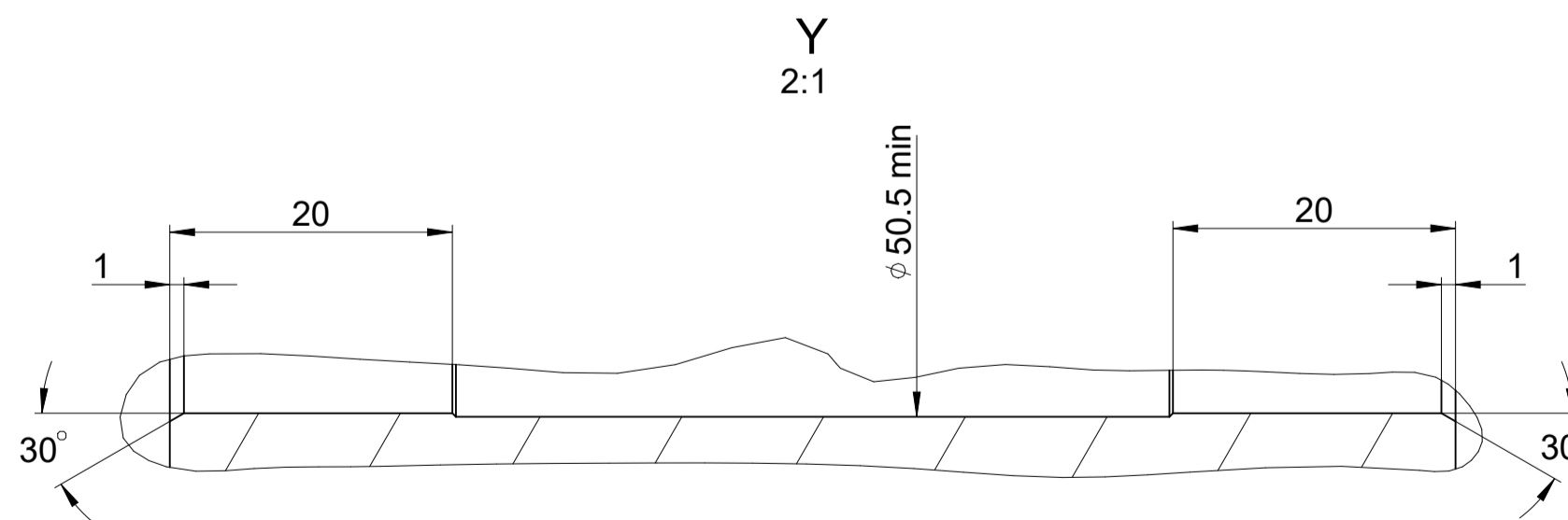
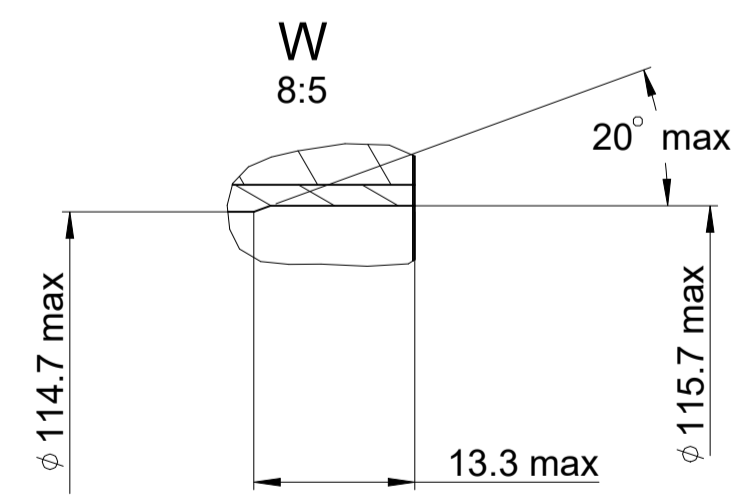
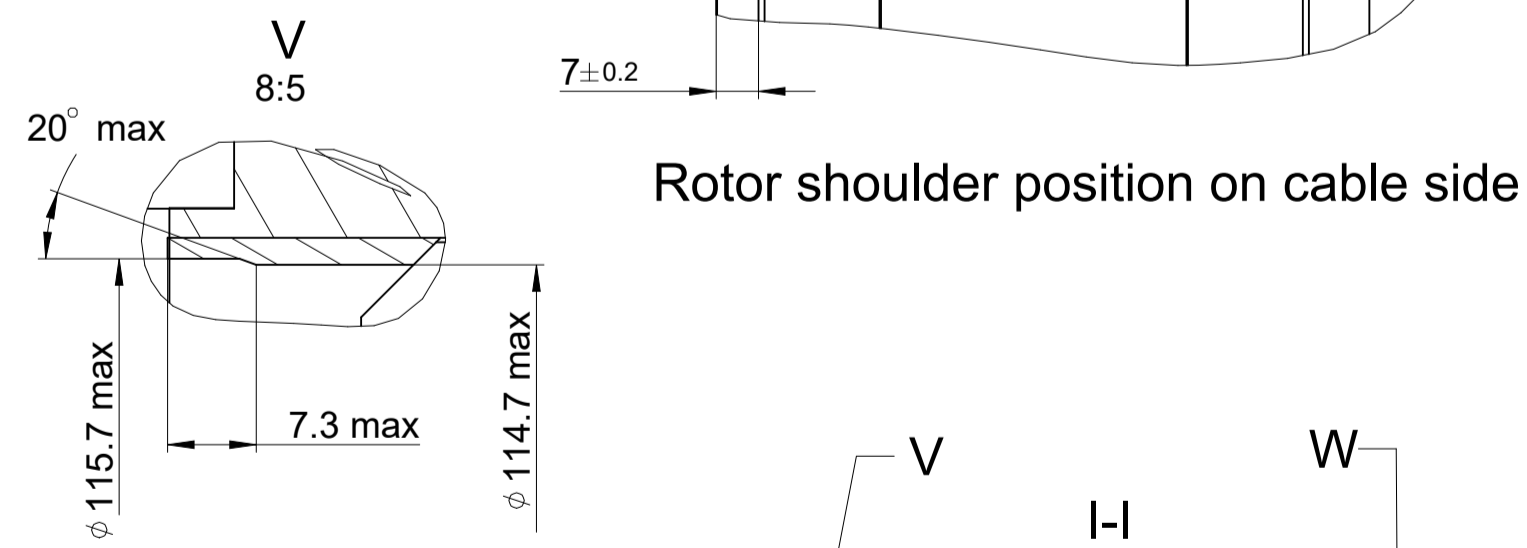


Rotor shoulder position on cable side

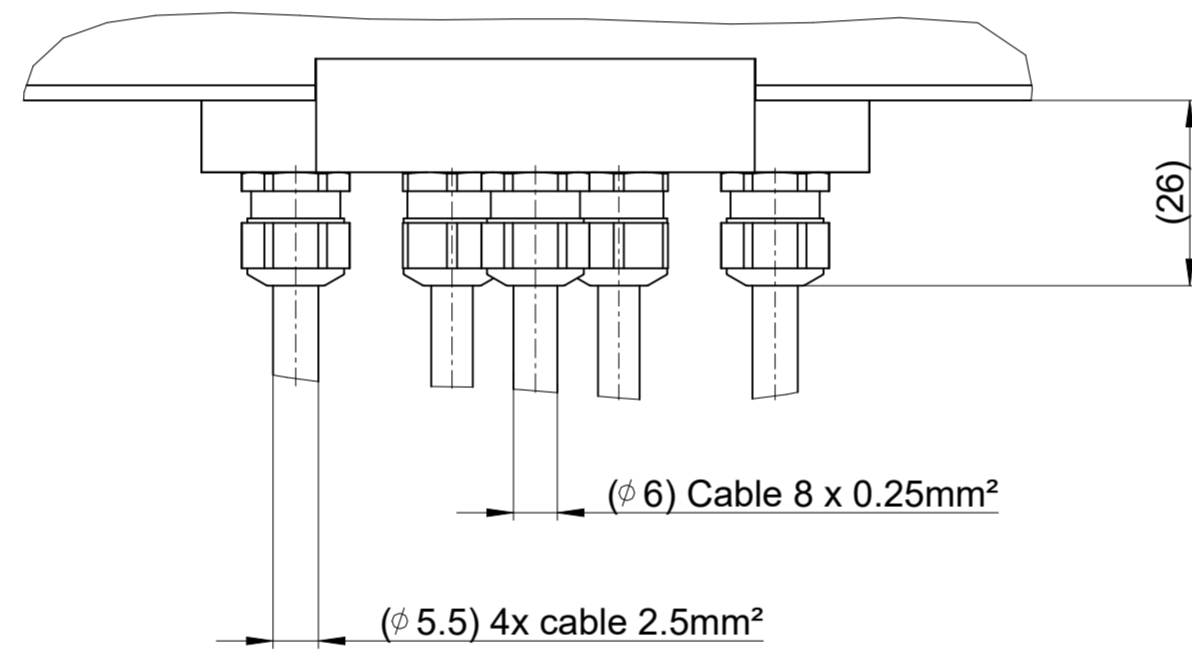
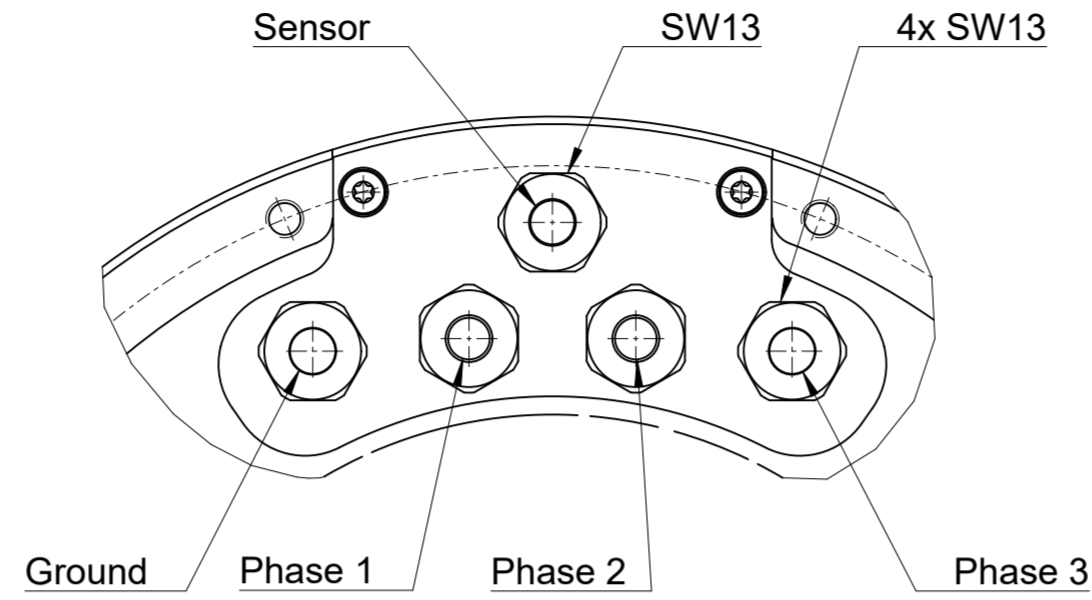


Rotor shoulder position on opposite side of cable

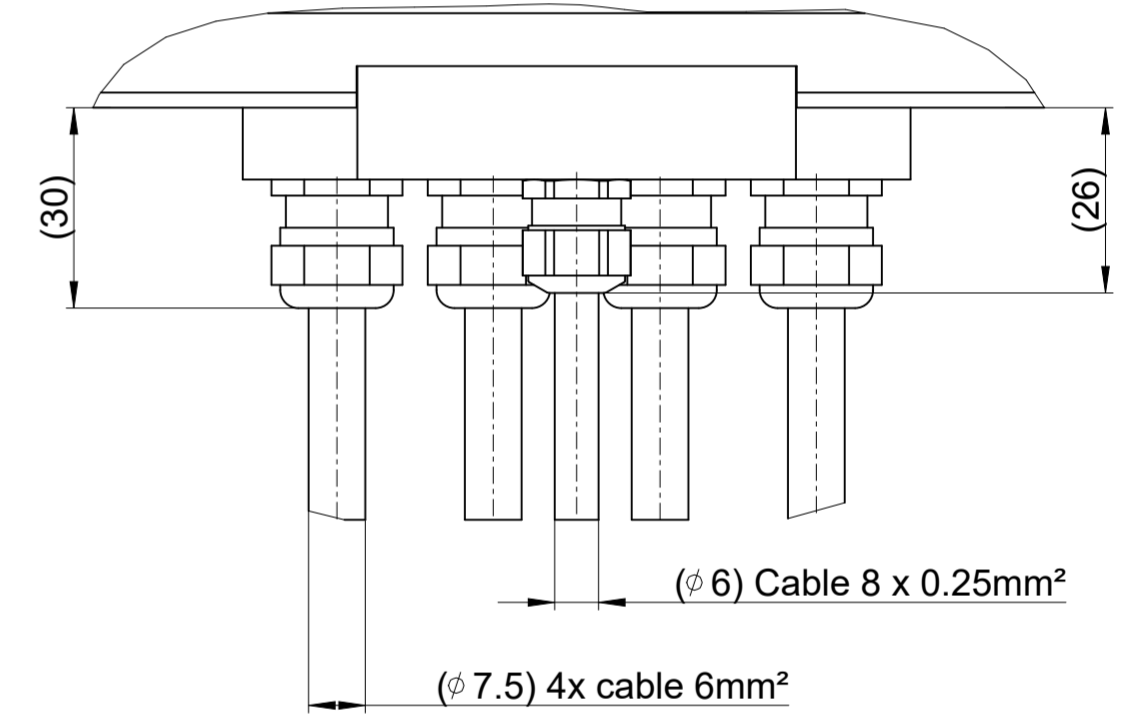
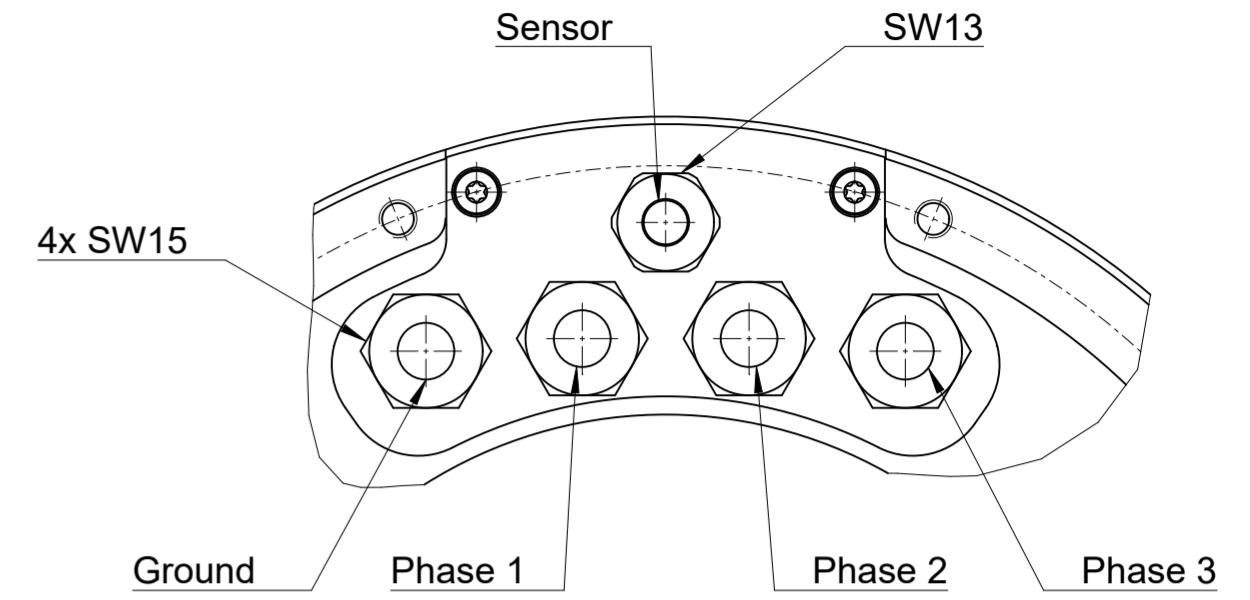
Designation	L1	L2	L3	N1	N2	N3	β1	β2
TMKi0175-050	100	81	40	8	6	8	45	60
TMKi0175-070	120	101	60	8	6	8	45	60
TMKi0175-100	150	131	90	16	12	15	22.5	30
TMKi0175-150	200	181	140	16	12	15	22.5	30

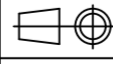

Text:		ID number:	C171900-10
Original drawing		Change No.:	22.04.2024
Scale		Released:	Tolerances as per ISO 8015 : 2011
Format			Tolerances selon ISO 8015 : 2011
Dimensions in mm	4:5 A1	Dimensions without tolerance ISO 2768-mK	
Mating Dimensions / Coles d'encrochement		Dimensions sans tolérances 2768-mK	
The reproduction, distribution and utilization of this document as well as the communication of its contents to others without express authorization is prohibited. Offenders will be held liable for the payment of damages. All rights reserved in the event of the grant of a patent, utility model or design. (ISO 18015)			
ETEL		ETEL S.A. 2112 Möllers SWITZERLAND	
Version   Revision   Sheet   Page		1378895-02-C-01	
		1 of 2	

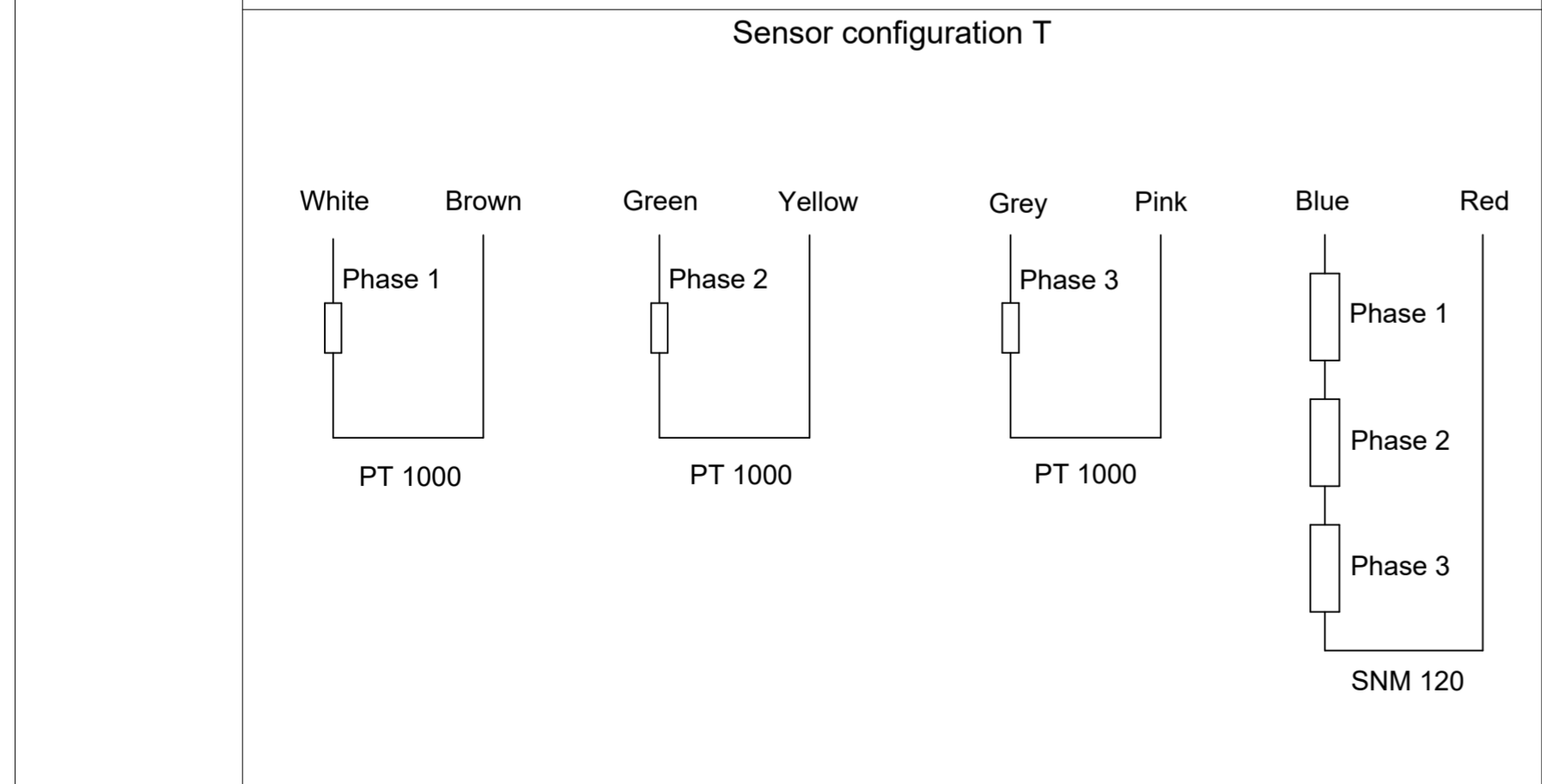
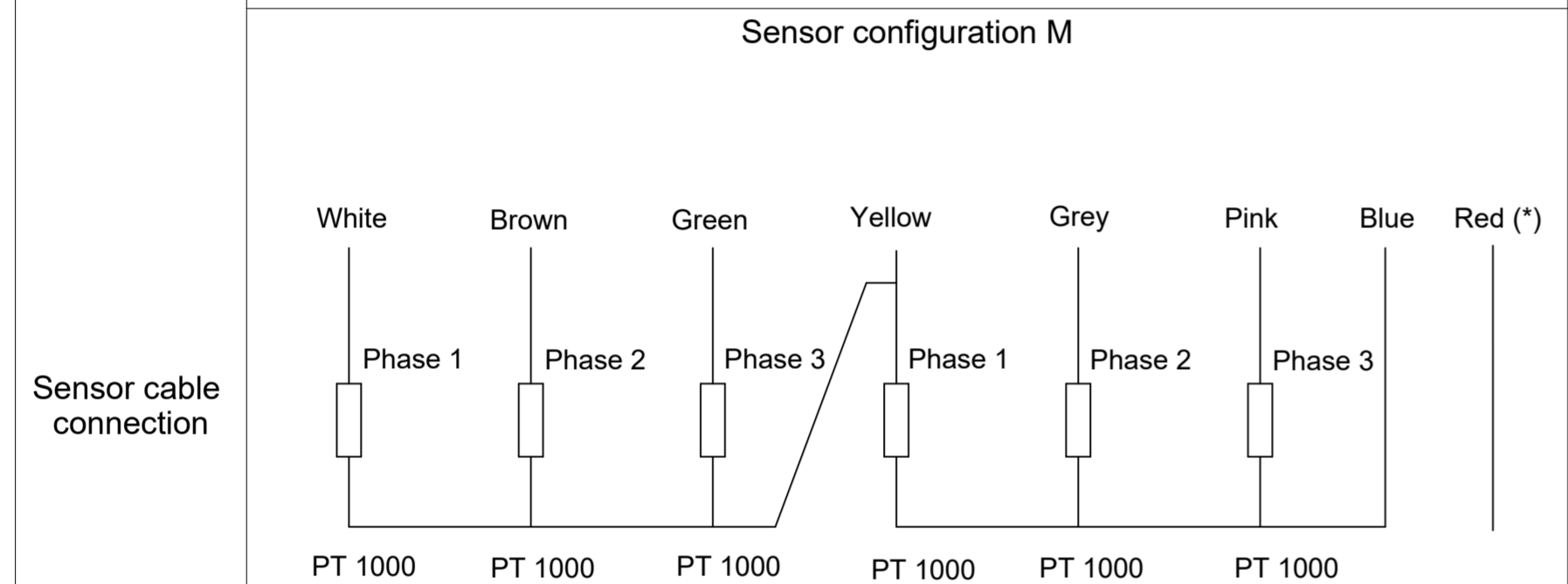
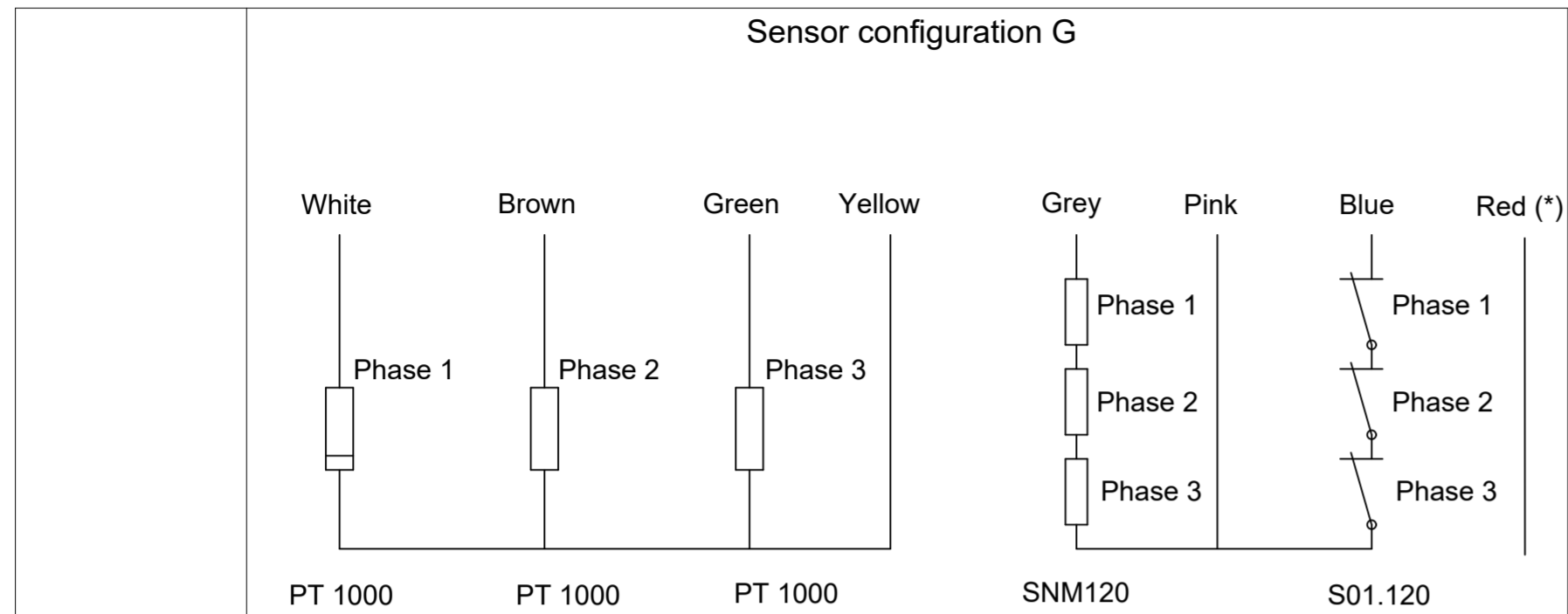
TMKi0175-###-UA#U#  
 TMKi0175-###-XA#U#  
 TMKi0175-###-UB#U#



TMKi0175-###-XB#U#



Text:		ID number:	
		Change No. C171500-10	
		Released: 22.04.2024	
 Original drawing Scale: 1:1 Format: A2		TMKi0175-###-#####-O#-AA5 TMKi0175-###-#####-O#-AA5 Mating Dimensions / Cotes d'encombrement	
Dimensions in mm		Tolerances as per ISO 8015 : 2011 Tolérances selon ISO 8015 : 2011	
		Dimensions without tolerance ISO Dimensions sans tolérances 2768-mk	
The reproduction, distribution and utilization of this document as well as the communication of its contents to others without express authorization is prohibited. Offenders will be held liable for the payment of damages. All rights reserved in the event of the grant of a patent, utility model or design. (ISO 16016)			
 ETEL S.A. 2112 Môtiers SWITZERLAND		Version   Revision   Sheet   Page 1378895-02 - C-01     2   2 Document number	

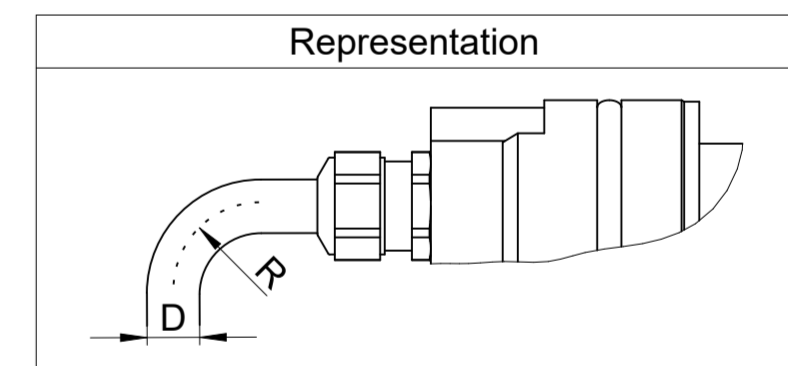


### Power cable connection

Color and wire number	Function	Drawing
Black wire with number 1 or U	Phase 1 (PH1)	
Black wire with number 2 or V	Phase 2 (PH2)	
Black wire with number 3 or W	Phase 3 (PH3)	
Yellow and green wire	Ground (GND)	

### Wire section (mm²)

Characteristics	1 x 2.5	1 x 4	1 x 6	1 x 10	1 x 16	Sensor cable
Applicable motors	TMKi0175 TMKi0291 TMKi0360	TMKi0360	TMKi0175 TMKi0360 TMKi0530	TMKi0291 TMKi0530 TMKi0761	TMKi0360 TMKi0530 TMKi0761 TMKi0991	All TMKi
Minimum bend radius for fixed cable	R = 4 X D	R = 4 X D	R = 4 X D	R = 4 X D	R = 4 X D	R = 6 X D
Minimum bend radius for moving cable	R = 7.5 X D	R = 7.5 X D	R = 7.5 X D	R = 7.5 X D	R = 7.5 X D	R = 12 X D



(\*): Red wire (if present) is not connected on the motor side and cutted flush on cable extremity.

Text:		Original drawing Scale: 1:1 Format: A2		TMKi sensor config. and cables prop. (interface)		ID number	
RoHS		1:1 A2		TMKi config. capteur et prop. câbles (interface)		Change No. C138033-30 Released: 08.01.2024	
Workpiece edges ISO 13715 Arêtes de formes selon ISO 13715		General tolerances ISO 2768:1989-mK Tolérances générales ISO 2768:1989-mK		Surfaces as per ISO 1302:2002 Etats de surface selon ISO 1302:2002		Material: Matière:	
Dimensions in mm / Cotes en mm		Mating Dimensions / Cotes d'encrobrement		Tolerances as per ISO 8015 : 2011 Tolérances selon ISO 8015 : 2011		Surface treatment: Traitement de surface:	
The reproduction, distribution and utilization of this document as well as the communication of its contents to others without express authorization is prohibited. Offenders will be held liable for the payment of damages. All rights reserved in the event of the grant of a patent, utility model or design. (ISO 16016)							
<b>ETEL</b>		ETEL S.A. 2112 Môtiers SWITZERLAND		Version/Revision/Sheet		Page	
1376587-00-B-01						1 of 1	
Document number							