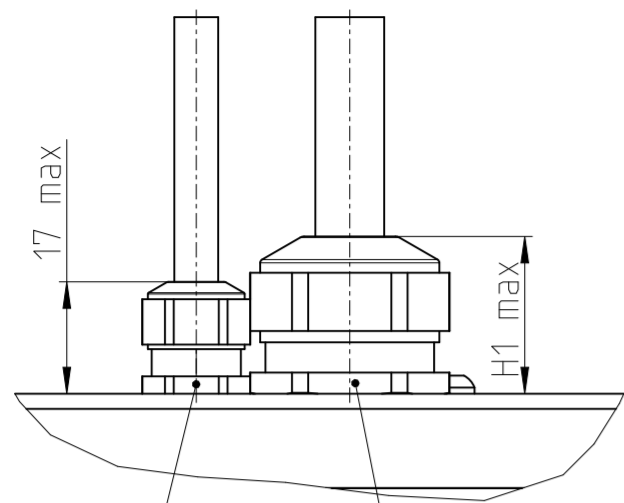
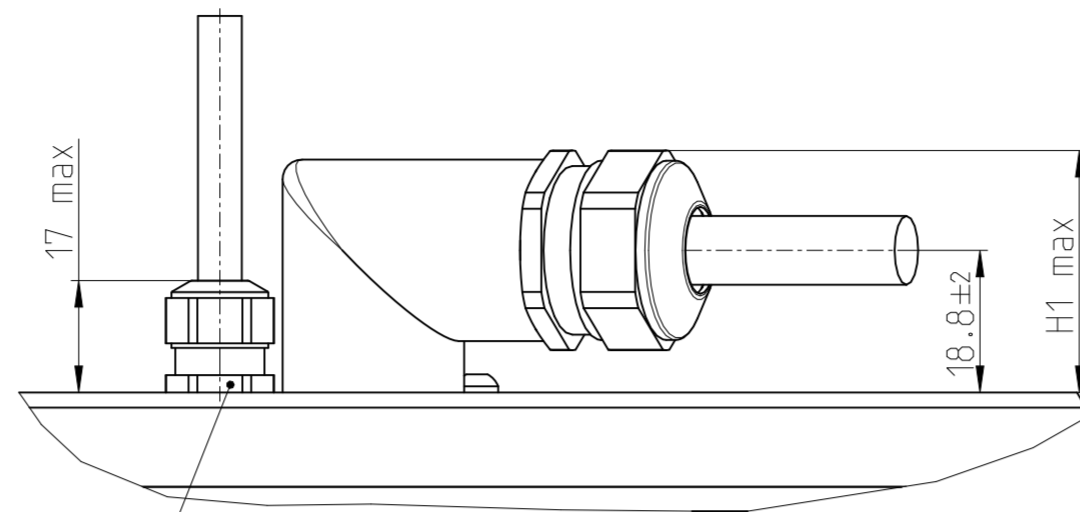


Designation	L1	L2	L3	L4	N1	N2	β
TMB+0175-030	80	50	10	31	8	8	45°
TMB+0175-050	100	70		51			
TMB+0175-070	120	90	15	71	16	15	22.5°
TMB+0175-100	150	120		101			
TMB+0175-150	200	170		151			
TMB+0175-200	250	220	202				

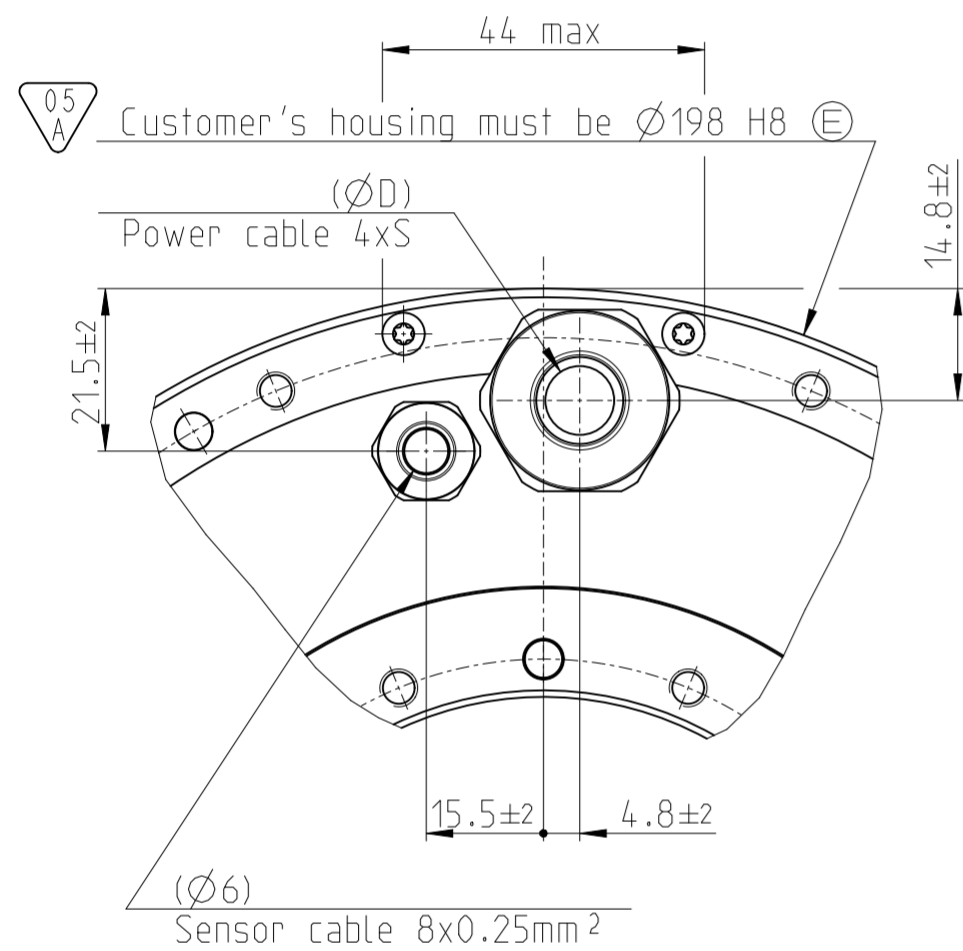
Text:		ID number:
Change No. C075986-31		Released: 09.12.2021
TMB+0175-###-####-O#-AA0		Tolerances as per ISO 8015 : 2011
TMB+0175-###-####-O#-AA0		Tolerances selon ISO 8015 : 2011
Mating Dimensions / Coles d'encrochement		Dimensions without tolerance ± 0.2
The reproduction, distribution and utilization of this document as well as the communication of its contents to others without express authorization is prohibited. Offenders will be held liable for the payment of damages. All rights reserved in the event of the grant of a patent, utility model or design. (ISO 18015)		Version Revision Sheet Page
ETEL S.A. 2112 Möllers SWITZERLAND		1175443-05-A-01 Document number



Wrench size : 13mm Wrench size : SWmm



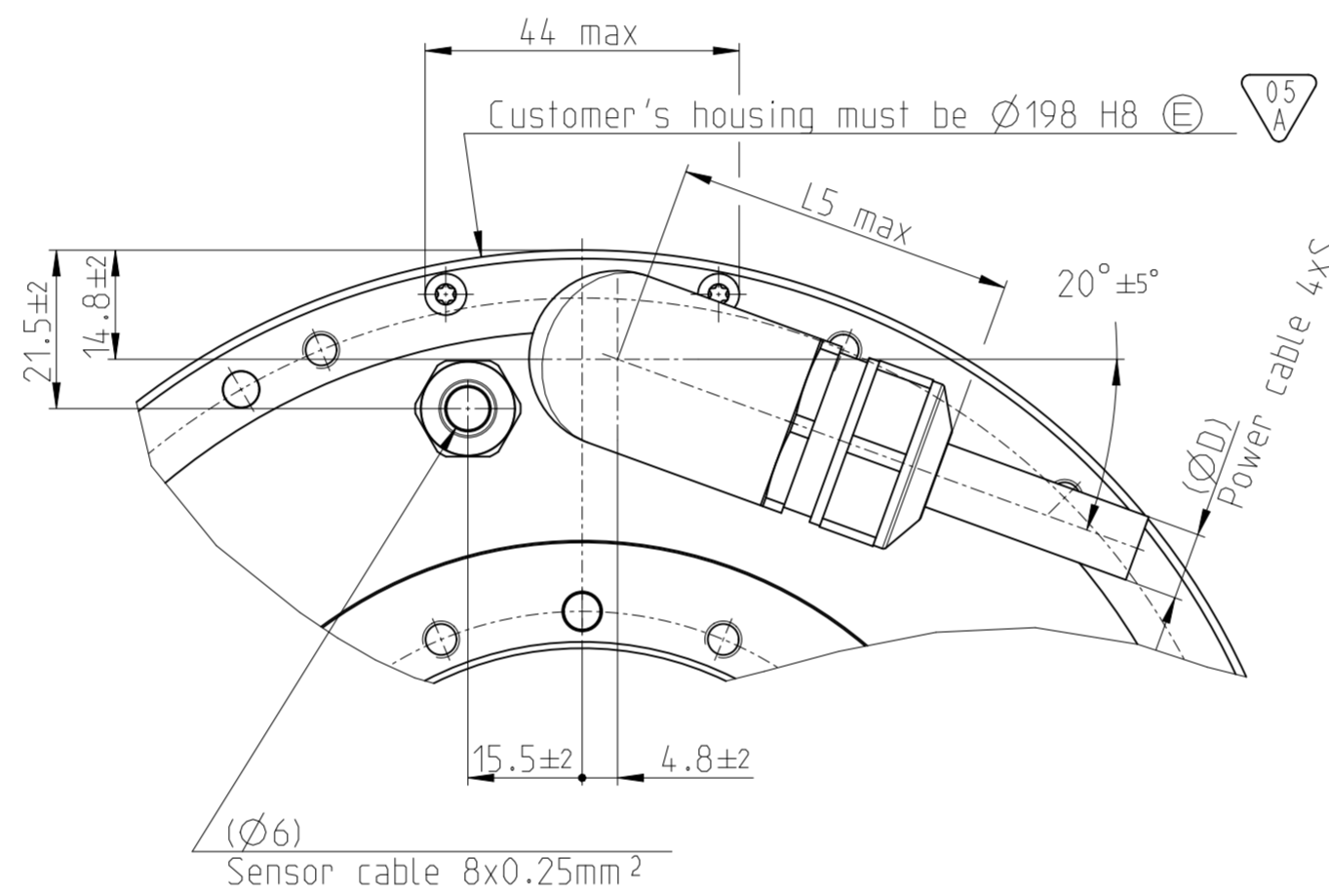
Wrench size : 13mm



Customer's housing must be $\varnothing 198$ H8 (E)

Power cable 4xS

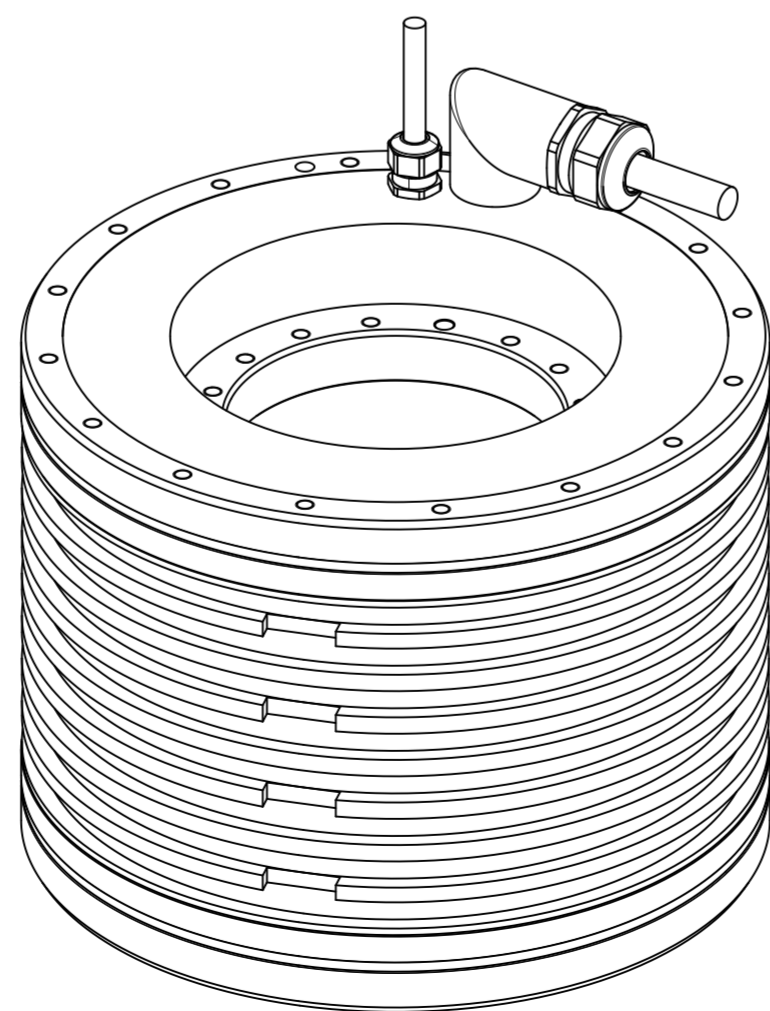
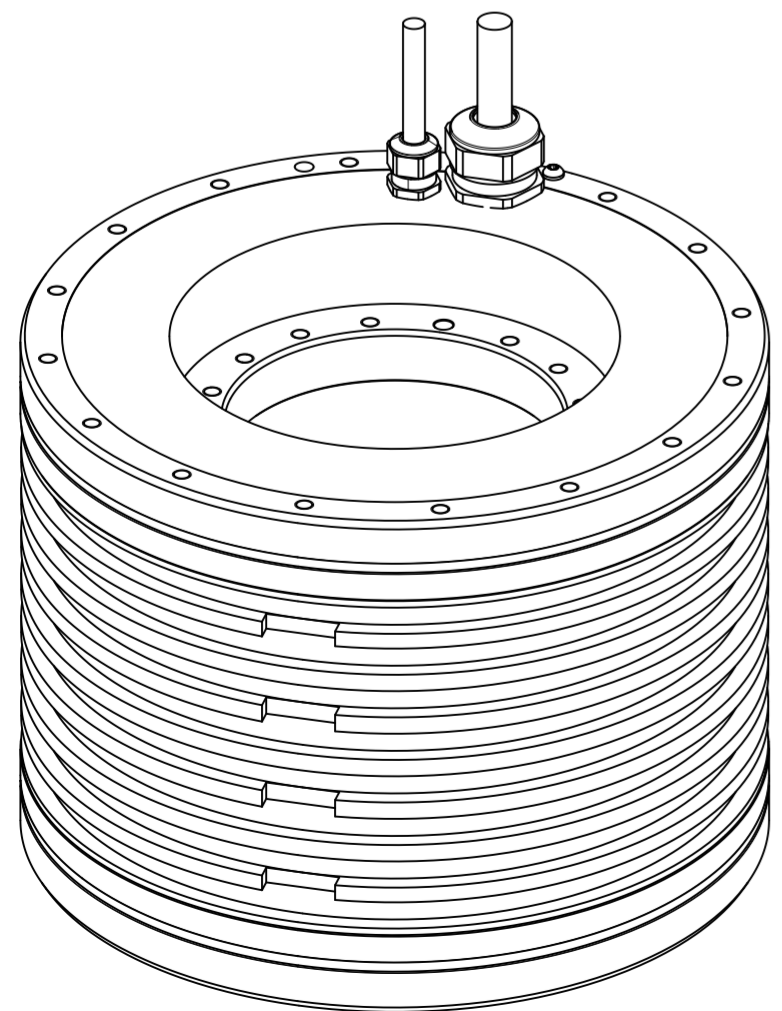
Sensor cable 8x0.25mm²



Customer's housing must be $\varnothing 198$ H8 (E)

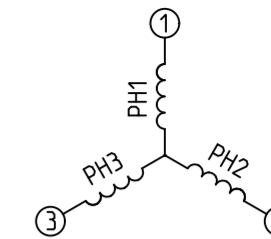
Power cable 4xS

Sensor cable 8x0.25mm²

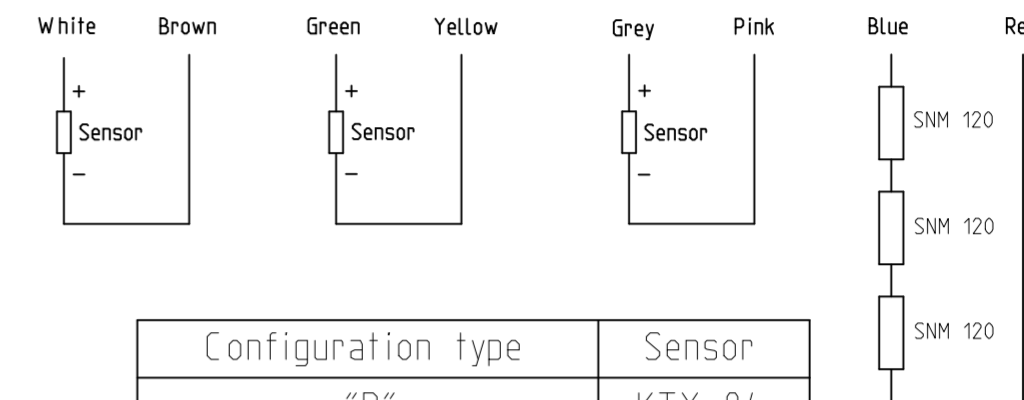


Power cable connection

Phase 1 = wire 1
Phase 2 = wire 2
Phase 3 = wire 3
PE = yellow/green wire



Sensor cable connection: "P" or "T" configuration



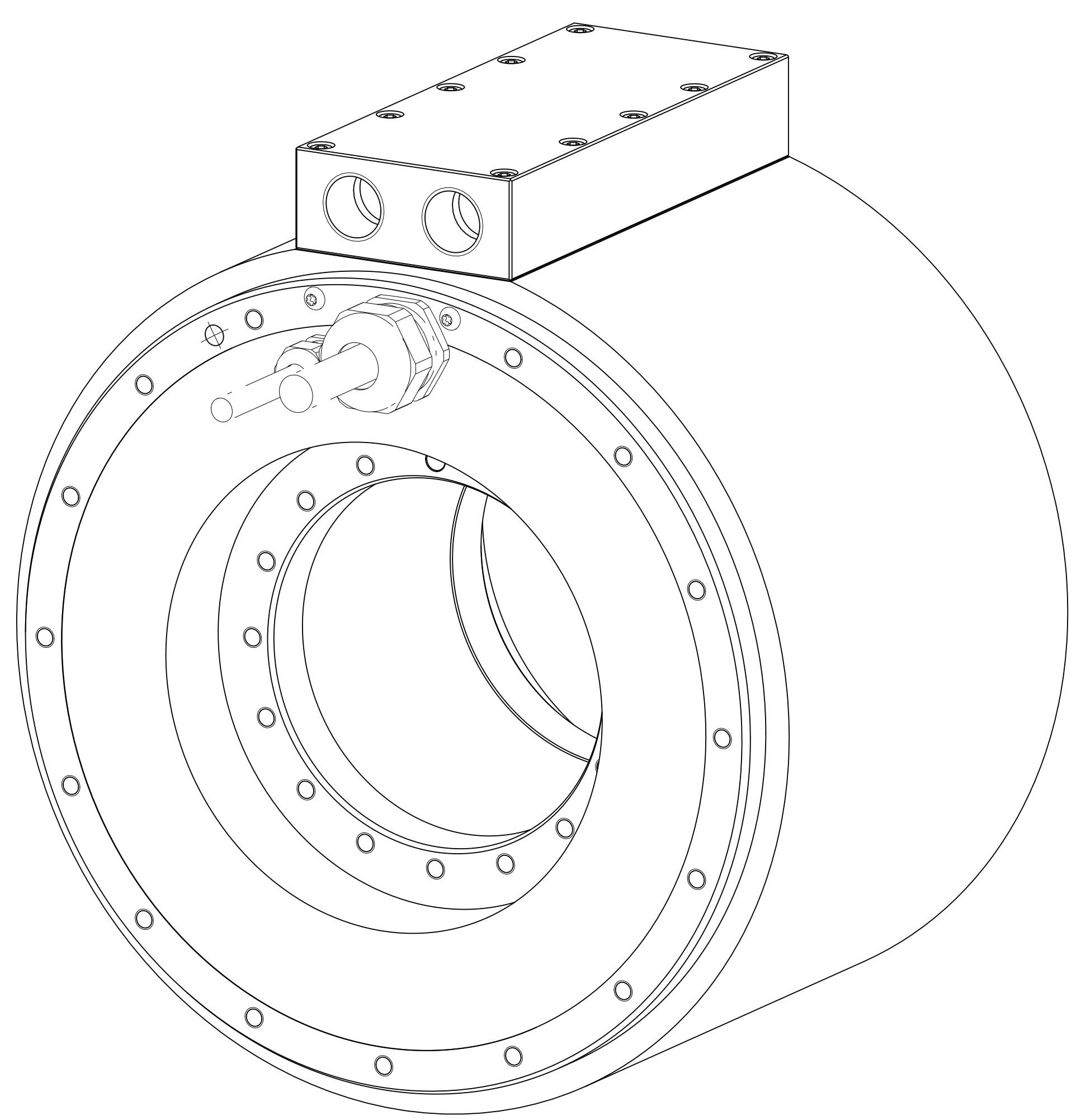
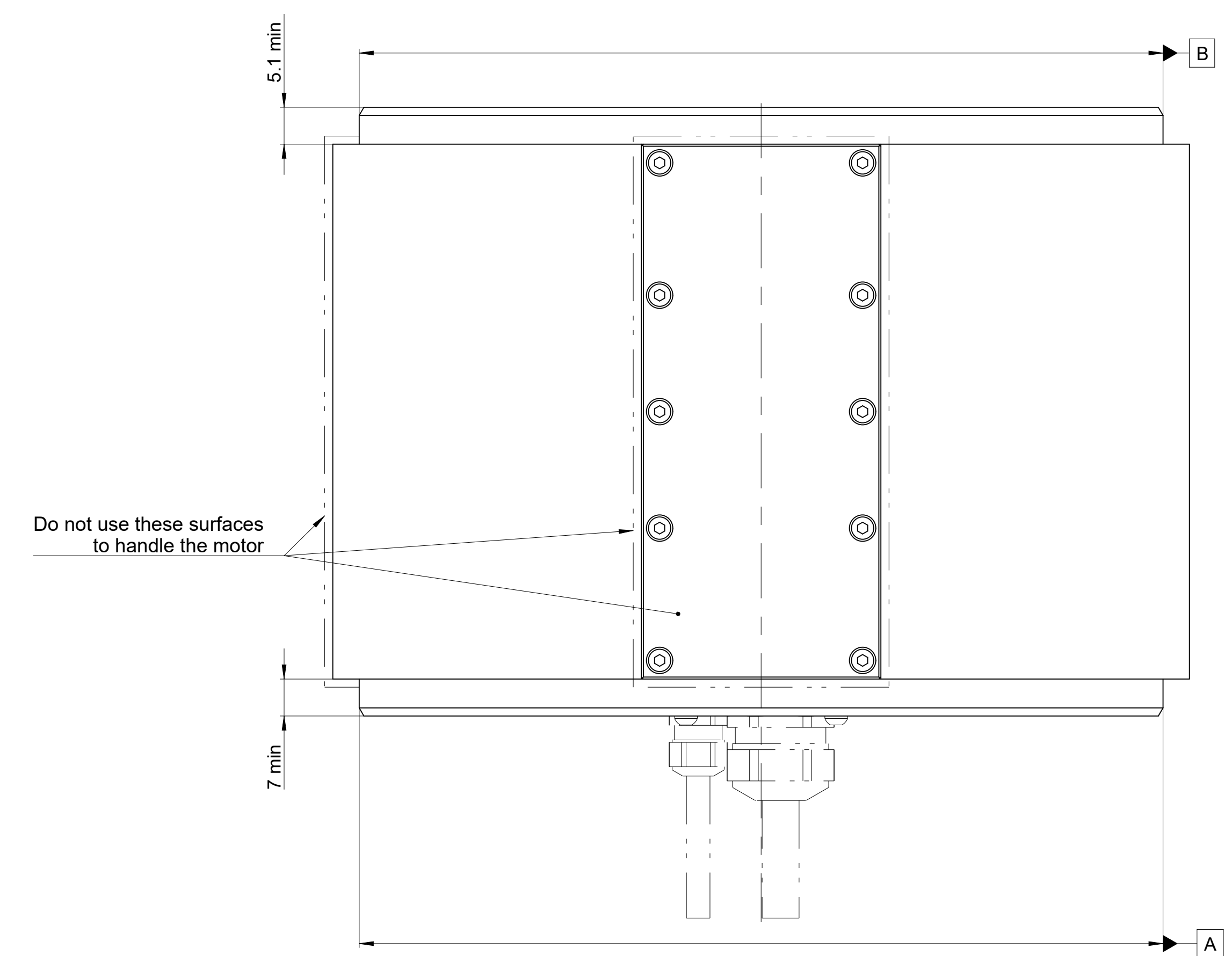
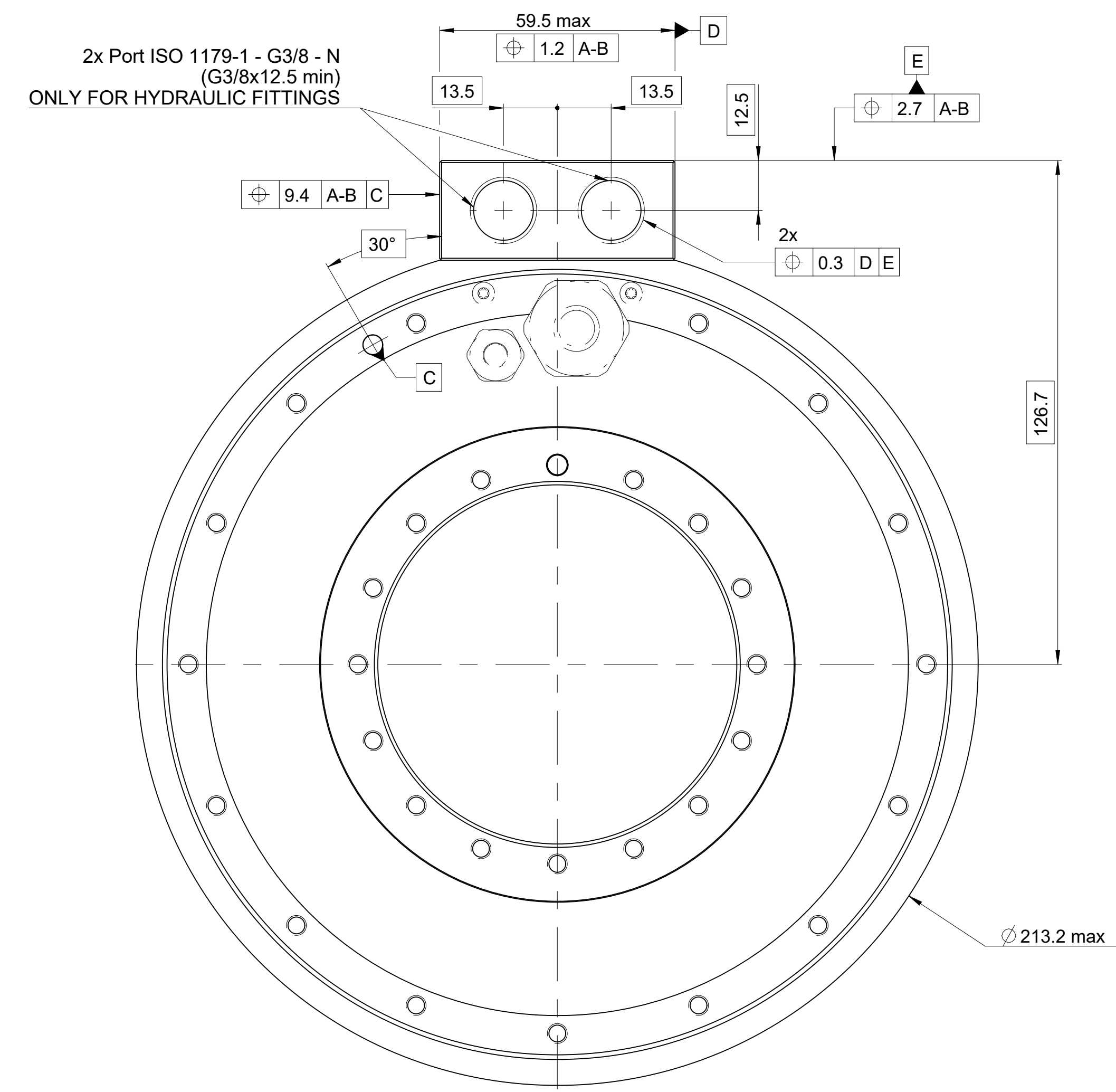
Configuration type	Sensor
"P"	KTY 84
"T"	PT 1000

Motor family	0140	0210	0290
	0175		0360
Connection	0291	0450	0530
		0760	0990
		1221	
White - Brown	Phase 1	Phase 3	Phase 2
Green - Yellow	Phase 3	Phase 2	Phase 1
Grey - Pink	Phase 2	Phase 1	Phase 3

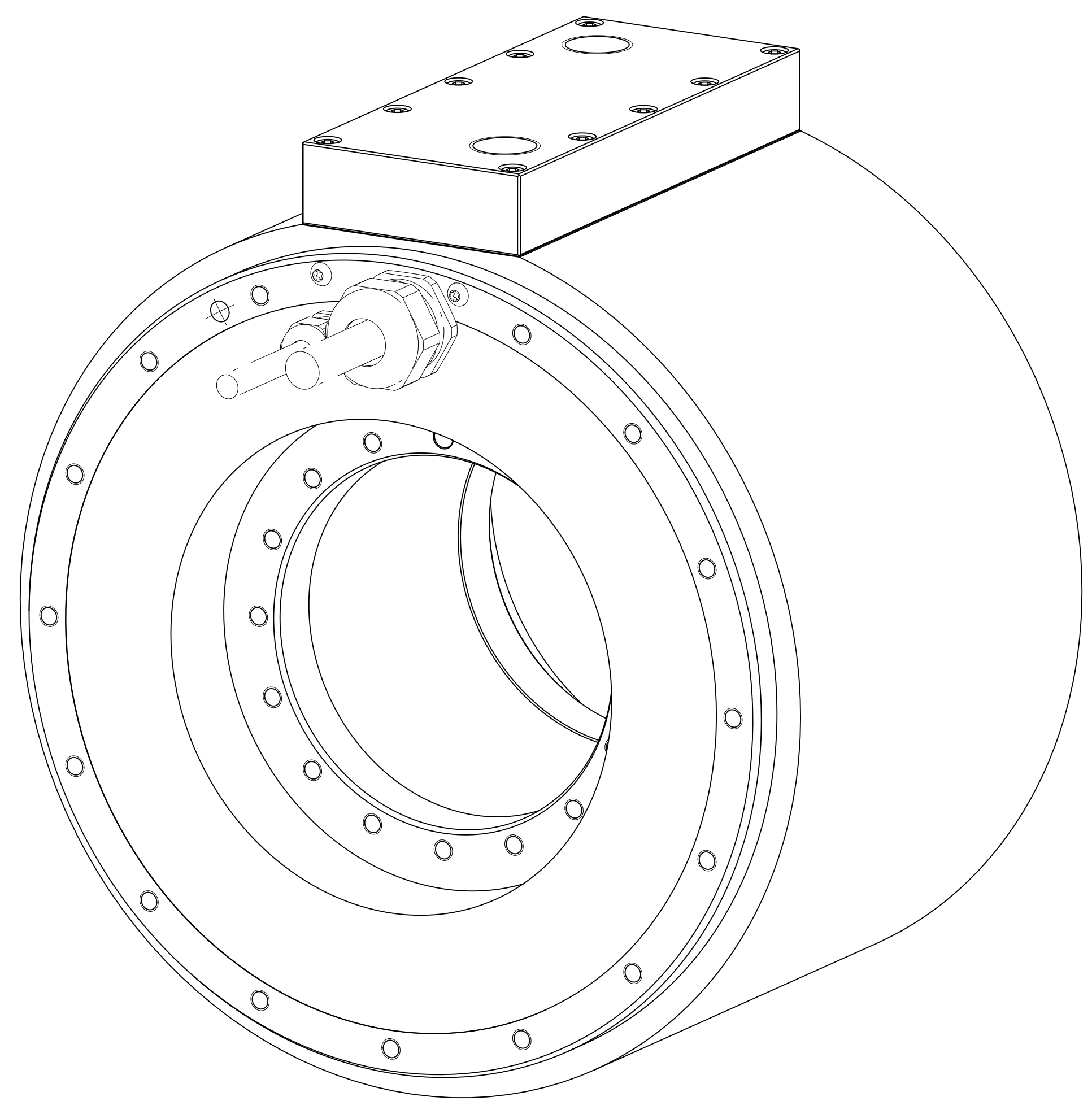
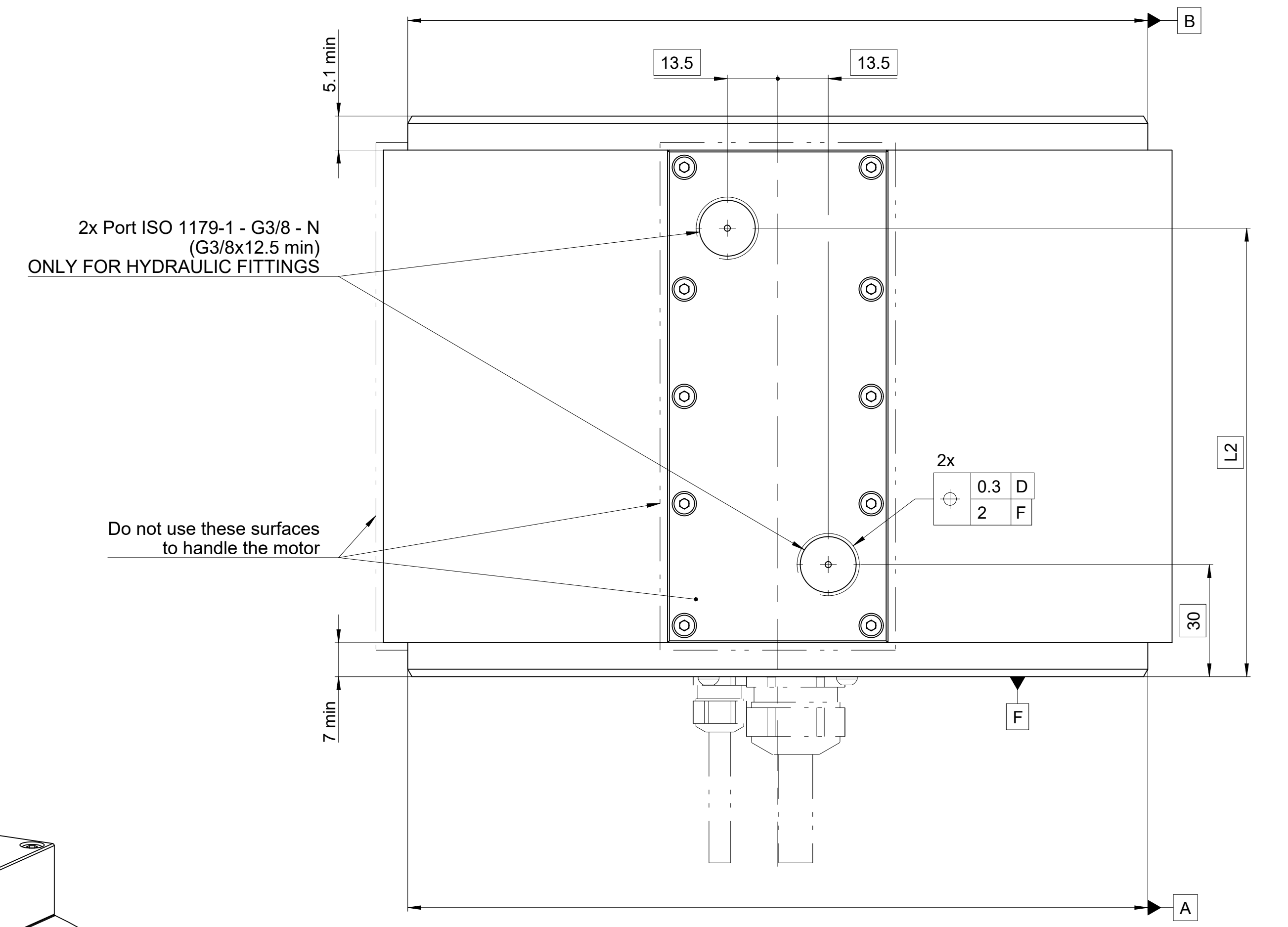
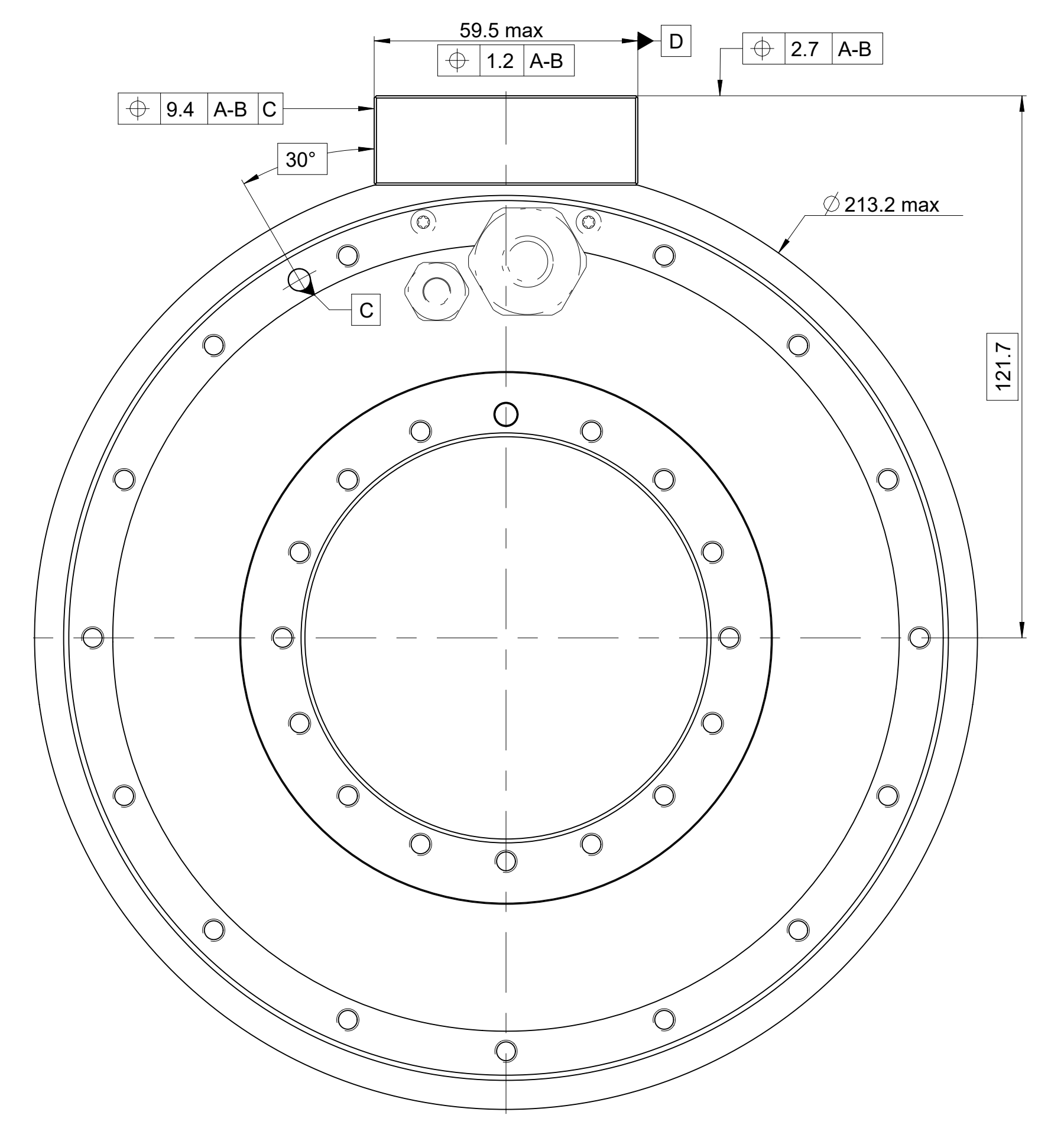
Designation	Output type	S=Wire section [mm ²]	L5 [mm]	H1 [mm]	D [mm]	Sw [mm]	Bending radius [mm]
TMB+0175-###-RA#S#	Type 1	1.5	-	26	9.1	24	Static bending radius for: - sensor cable = 30 - power cable = 4x ∅D
TMB+0175-###-RA#E#	Type 2		51.5	34.5			
TMB+0175-###-RB#S#	Type 1		-	26			
TMB+0175-###-RB#E#	Type 2		51.5	34.5			
TMB+0175-###-TA#S#	Type 1		-	26			
TMB+0175-###-TA#E#	Type 2		51.5	34.5			
TMB+0175-030 to 070-TB#S#	Type 1	2.5	-	26	10.6		
TMB+0175-030 to 070-TB#E#	Type 2		51.5	34.5			
TMB+0175-100 to 200-TB#S#	Type 1	4	-	26	11.9		
TMB+0175-100 to 200-TB#E#	Type 2		51.5	34.5			
TMB+0175-###-VB#S#	Type 1	4	-	28			
TMB+0175-###-VB#E#	Type 2		53.5	34.5			

Text:		ID number:	
Original drawing		Change No. C075986-31	
Scale		Released: 09.12.2021	
Format		Tolerances as per ISO 8015 : 2011	
Dimensions in mm		Tolerances selon ISO 8015 : 2011	
1:1		Dimensions without tolerance ± 0,2	
A2		Dimensions sans tolérances	
The reproduction, distribution and utilization of this document as well as the communication of its contents to others without express authorization is prohibited. Offenders will be held liable for the payment of damages. All rights reserved in the event of the grant of a patent, utility model or design. (ISO 16016)			
ETEL		ETEL S.A. 2112 Môtiers SWITZERLAND	
Version		Revision	
Sheet		Page	
1175443-05 - A-01		2 of 2	
Document number			

TMB+0175-###-#####-A#-AA0
 (Annex to interface drawing 1175443: please check for motor and cable output information)



TMB+0175-###-#####-R#-AA0
 (Annex to interface drawing 1175443: please check for motor and cable output information)



Designation	L2
TMB+0175-030	50
TMB+0175-050	70
TMB+0175-070	90
TMB+0175-100	120
TMB+0175-150	170
TMB+0175-200	220