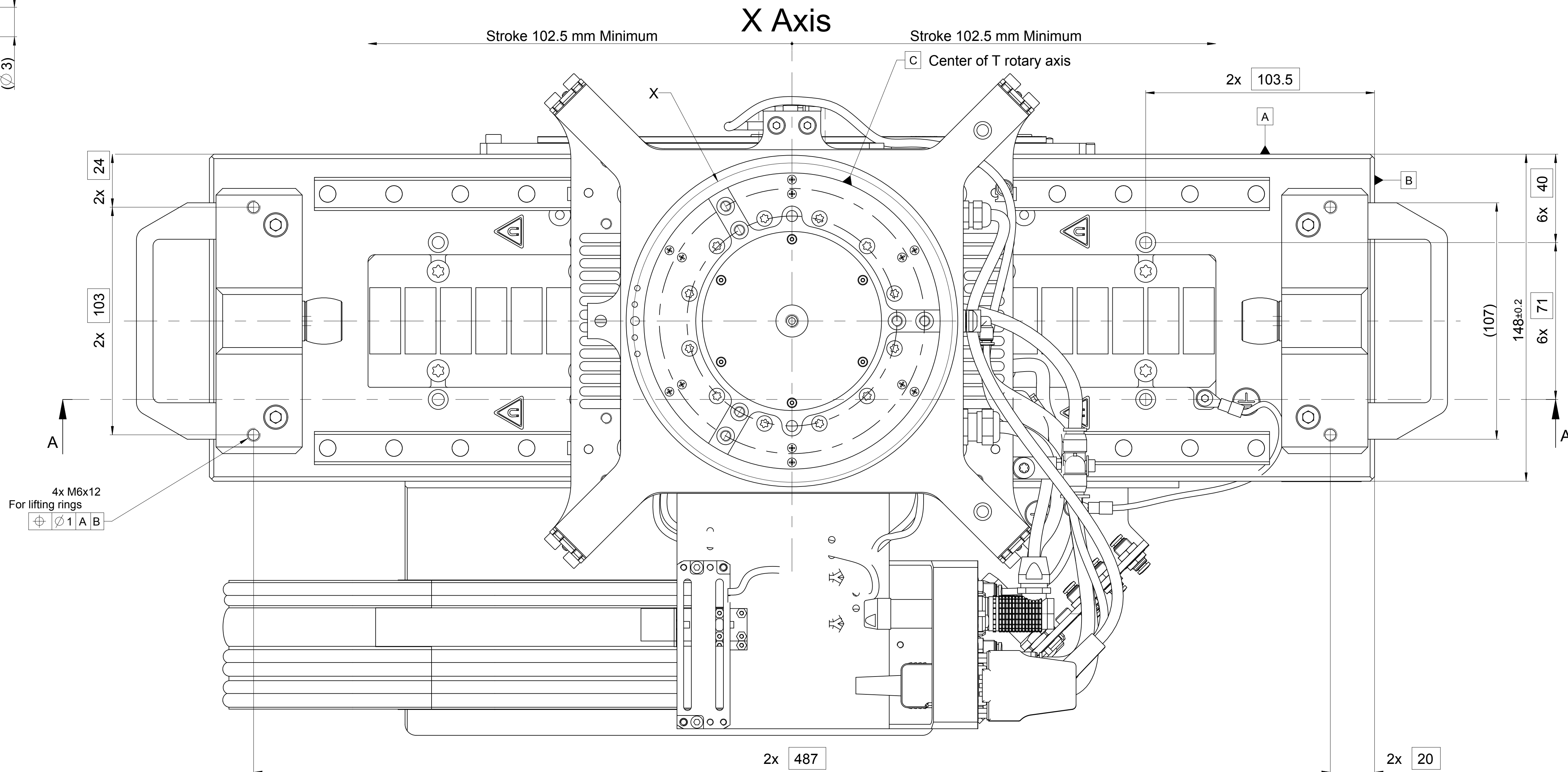
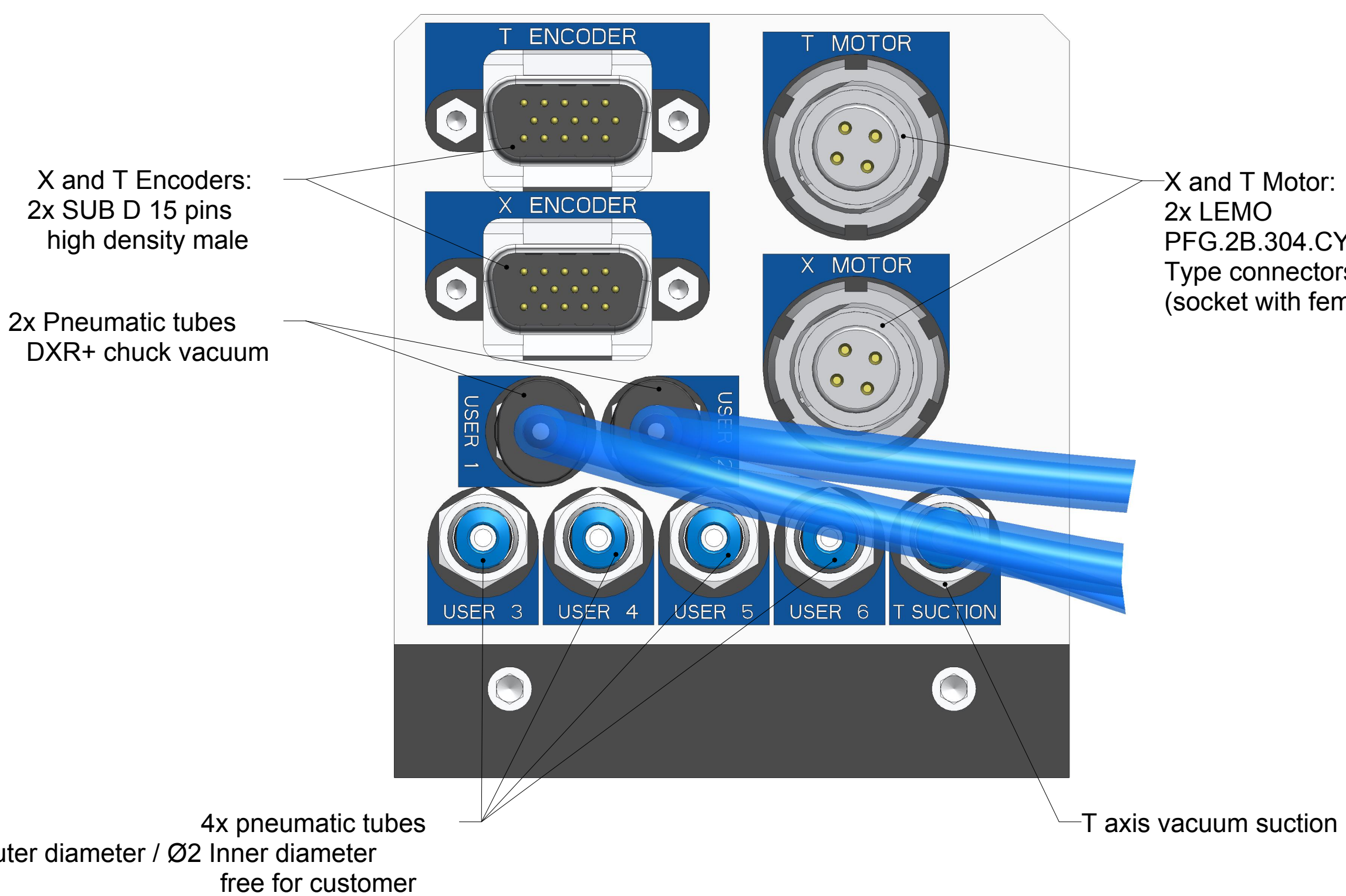


Y [4:1]

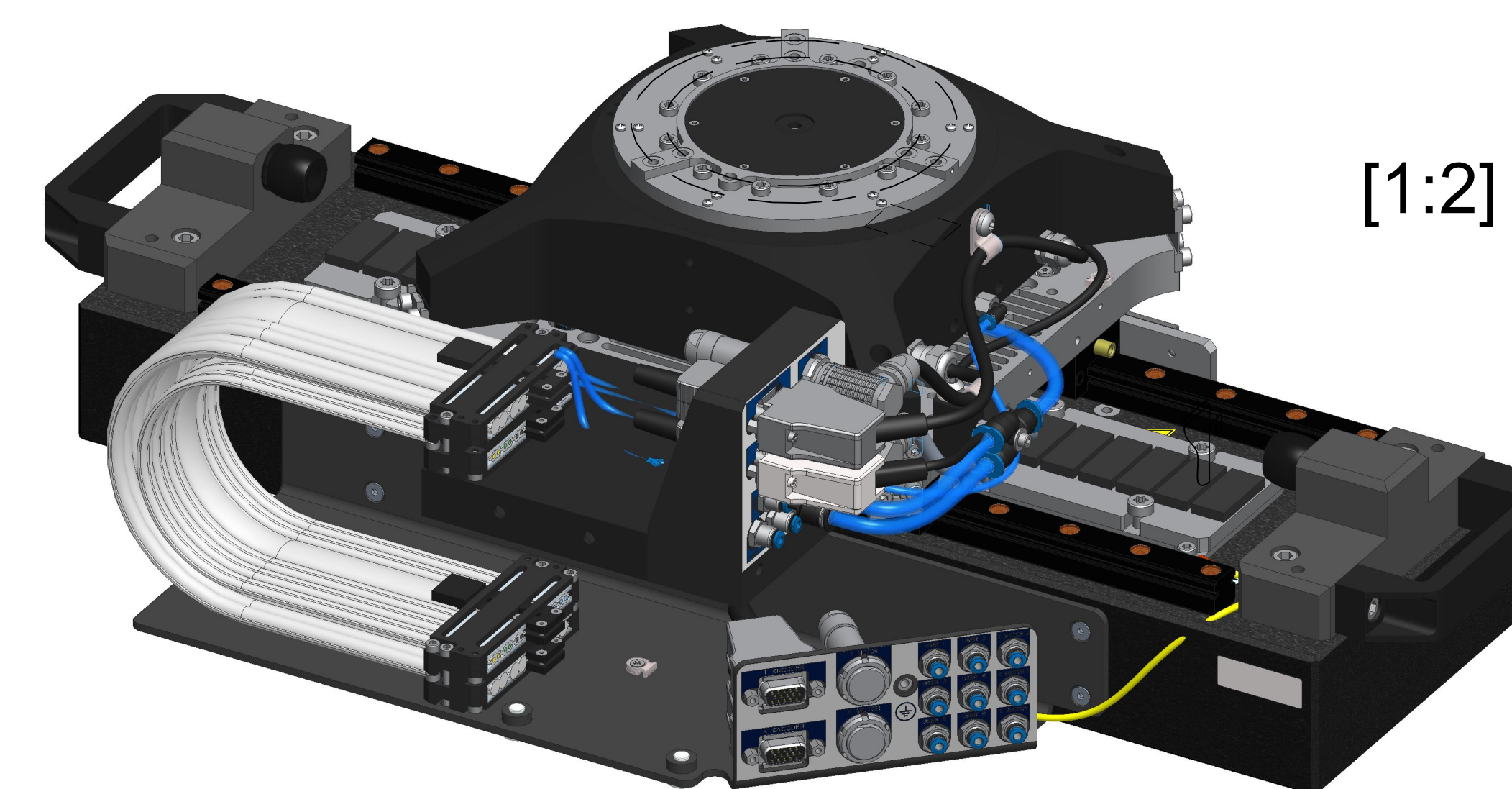
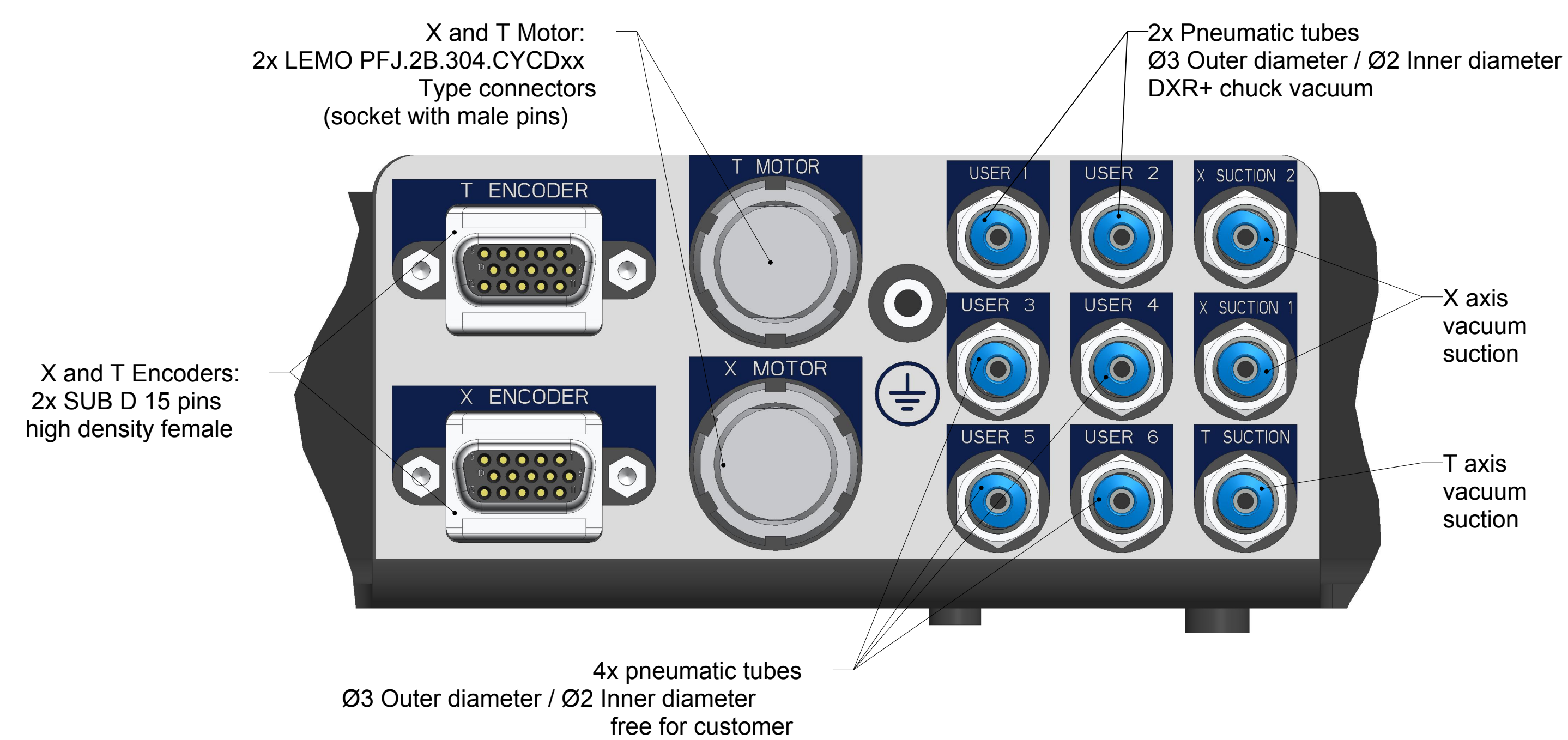
Stroke 102.5 mm Minimum X Axis Stroke 102.5 mm Minimum



MOBILE PANEL [2:1]



FRONT PANEL [2:1]



Title		ID number	1254967-01
Original drawing		Change No.	000020-06
ASME-NNN-02-0205-0000xx-XT STACKED SYSTEM		Released	11 Jun 19
ASME-NNN-02-0205-0000xx-XT STACKED SYSTEM		Tolerances as per ISO 8015: 2011	
9-10 A0		Tolerances series ISO 8015: 2011	
Scale: 1:1 Format:		Dimensions without tolerance	±0.2
Dimensions in mm		Dimensions with tolerance	
The reproduction, distribution and utilization of this document as well as the communication of its contents to others without express authorization is prohibited. Offenders will be held liable for the payment of damages. All rights reserved in the event of the grant of a patent, utility model or design. (ISO 16016)			
ETEL S.A. 2112 Mörsch SWITZERLAND		Version / Revision / Sheet	Page 1 of 1
1275560-01 - A-01		Document number	

It is required to mount RTheta stages on a granite or equivalent flat surface with a flatness inferior or equal to 3 microns