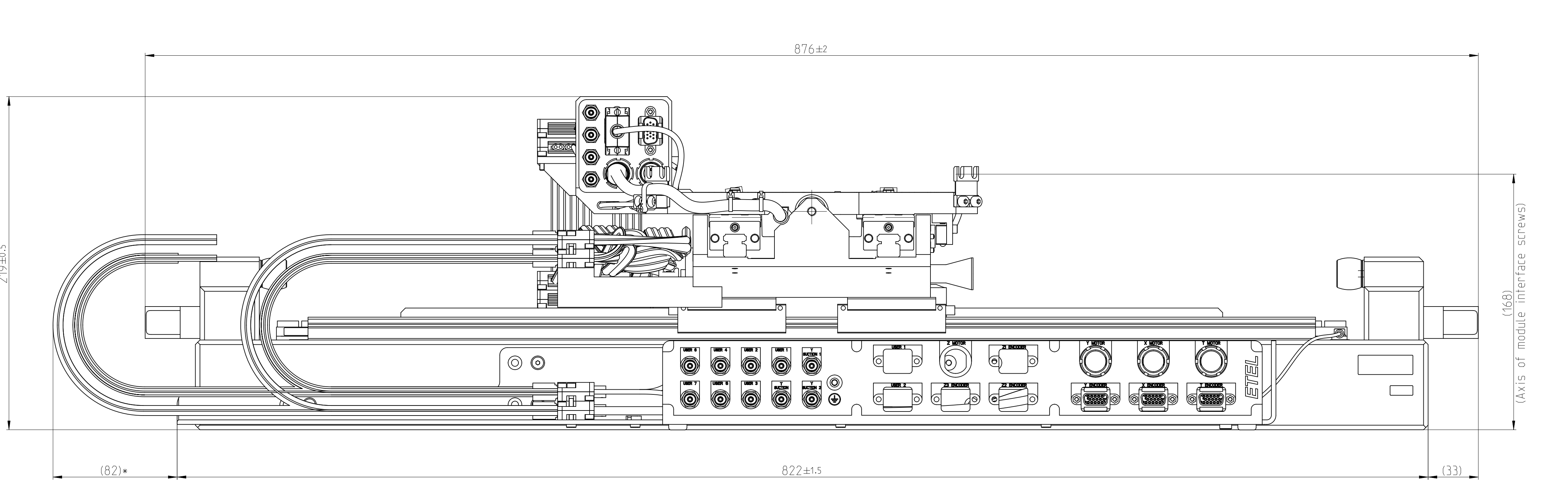
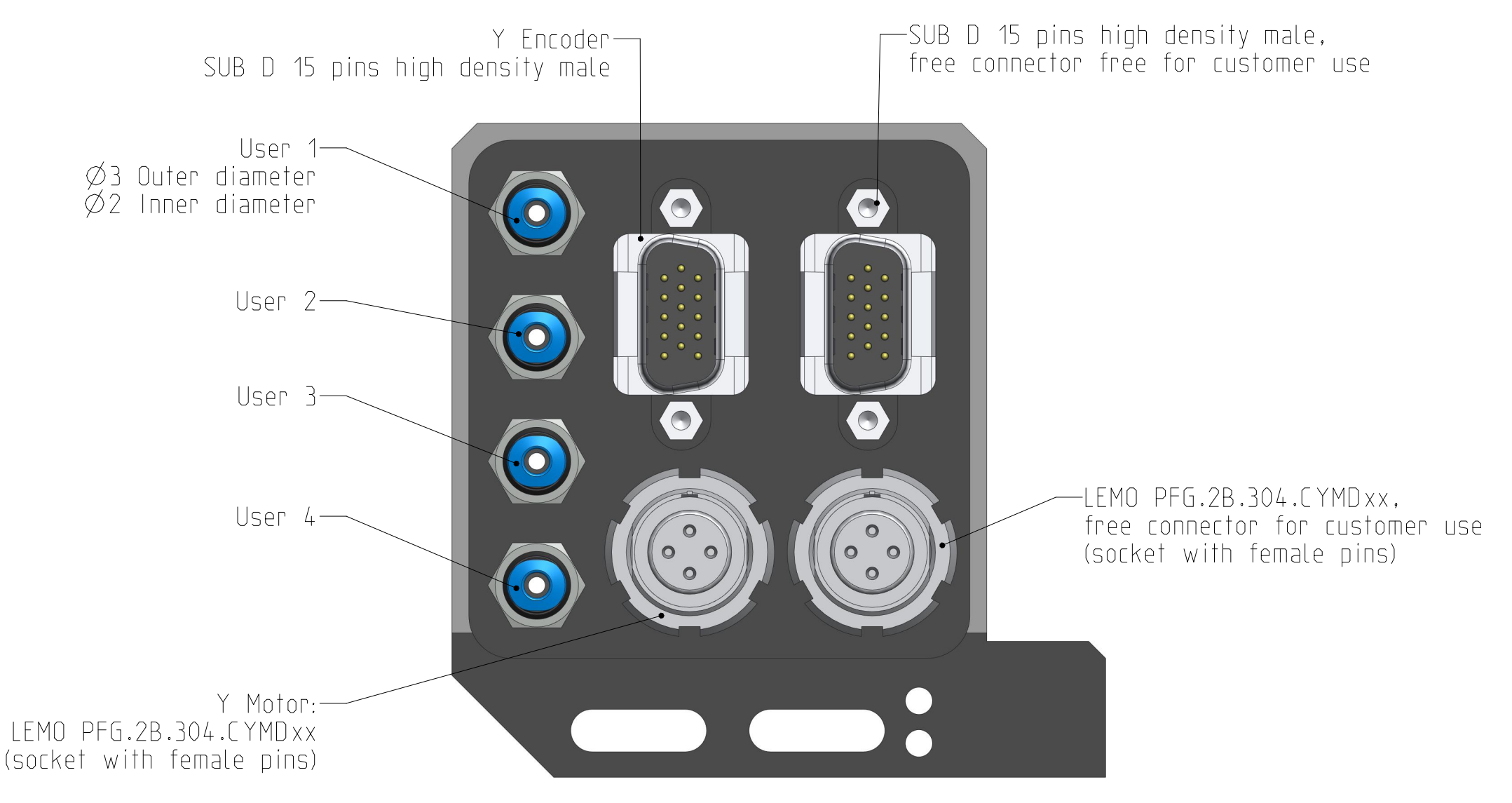
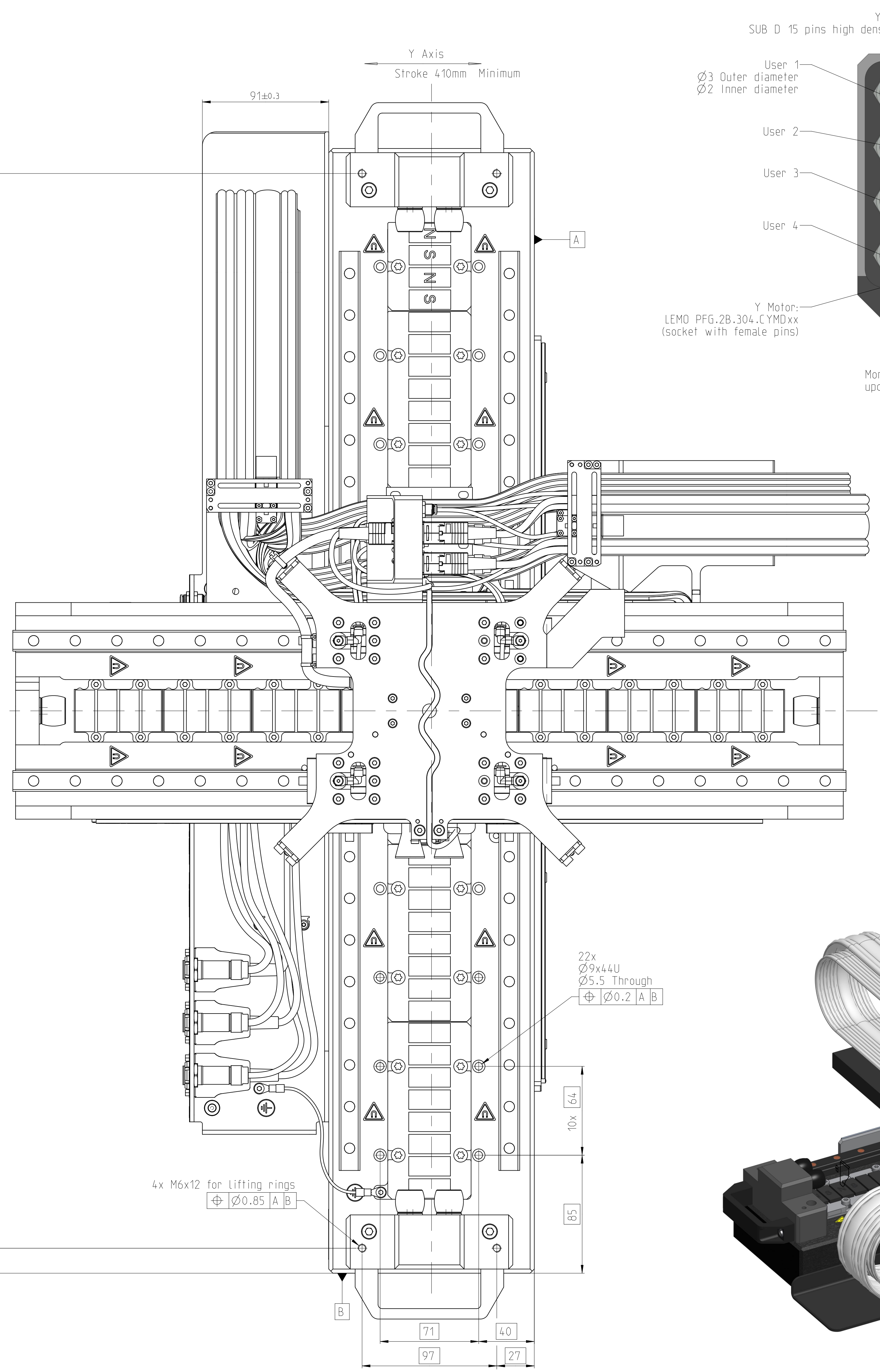


\* Dimensions with cables at the end of the strokes

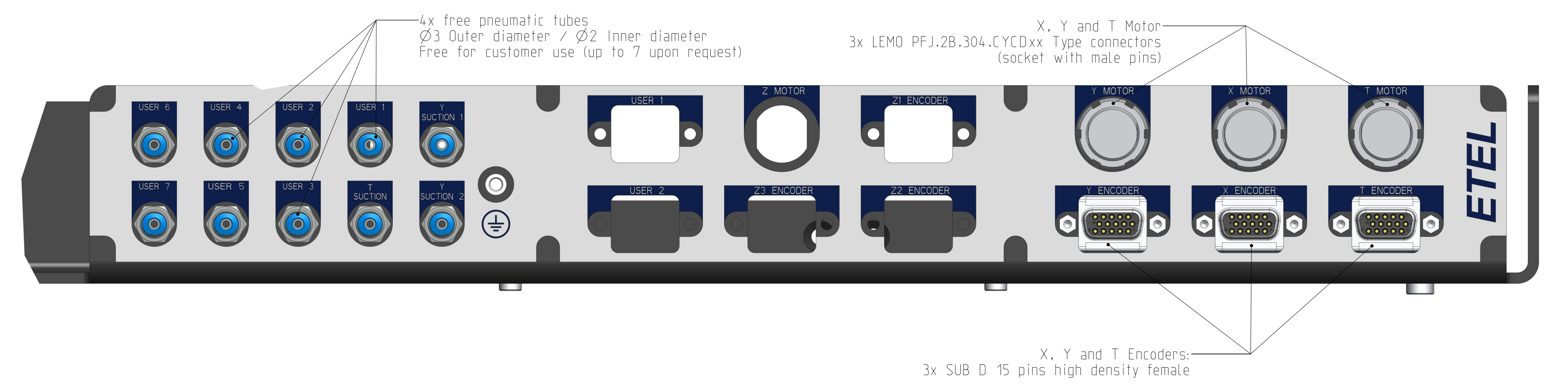


MOBILE PANEL [8:5]

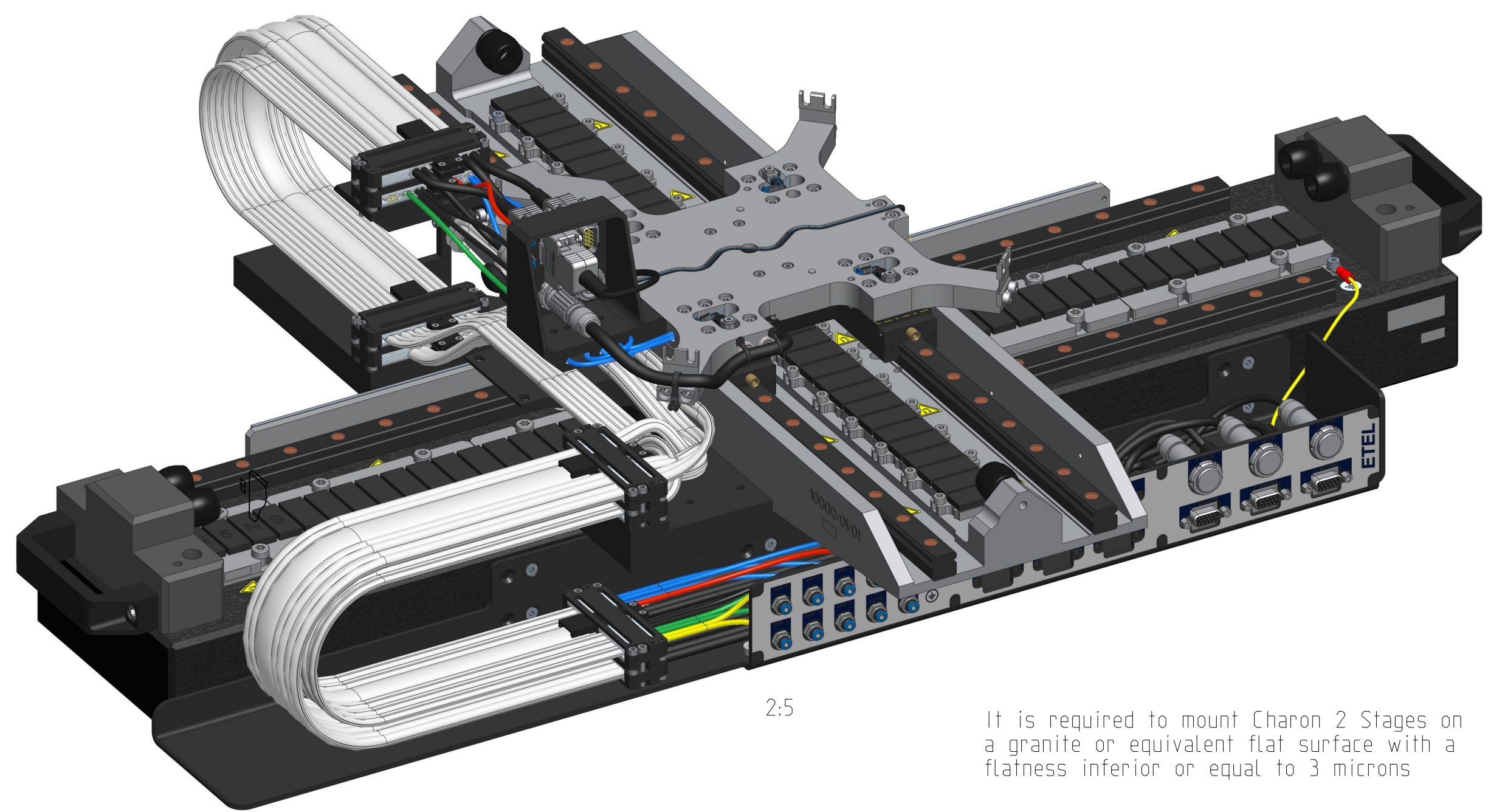
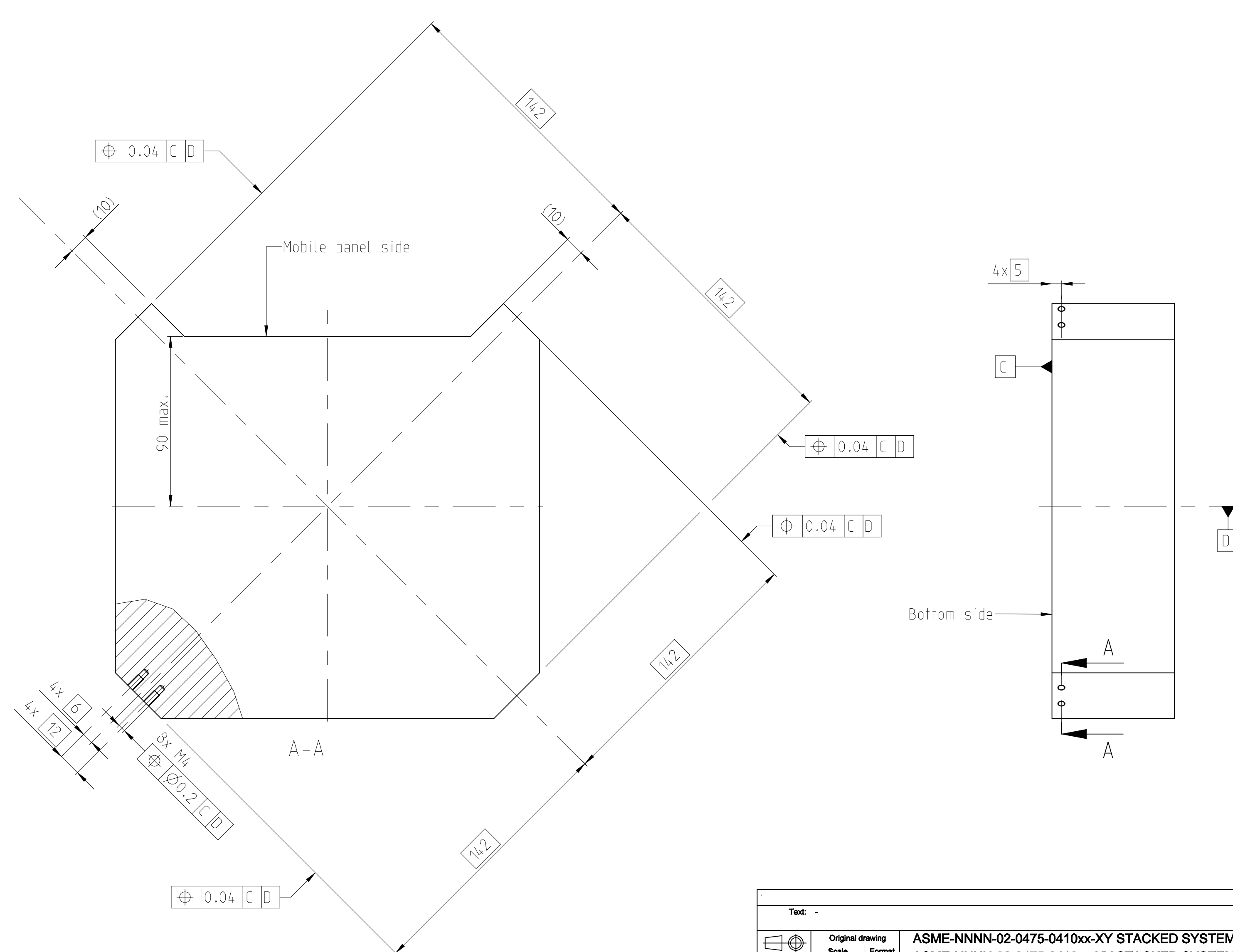


More information about User 5 to User 7 tubes upon request

FRONT PANEL [6:5]



Design recommendations for customer module interface



It is required to mount Charon 2 Stages on a granite or equivalent flat surface with a flatness inferior or equal to 3 microns

Title		ID number	1218565-01
Original drawing		ASME-NNNN-02-0475-0410xx-XY STACKED SYSTEM	Change No.
State		ASME-NNNN-02-0475-0410xx-XY STACKED SYSTEM	000023.01
Released			01-Feb-19
Dimensions in mm		3:5 A0	Tolerances as per ISO 8015:2011
Drawing Dimensions / Corner R-environment		Dimensions without tolerance	Dimensions with tolerance
The reproduction, distribution and utilization of this document as well as the communication of its contents to others without express authorization is prohibited. Offenders will be held liable for the payment of damages. All rights reserved in the event of the grant of a patent, utility model or design. (ISO 10161)		Dimensional tolerances	
ETEL S.A. 2112 Mollat SWITZERLAND		Version / Revision / Sheet	
		1218565-02-A-01	