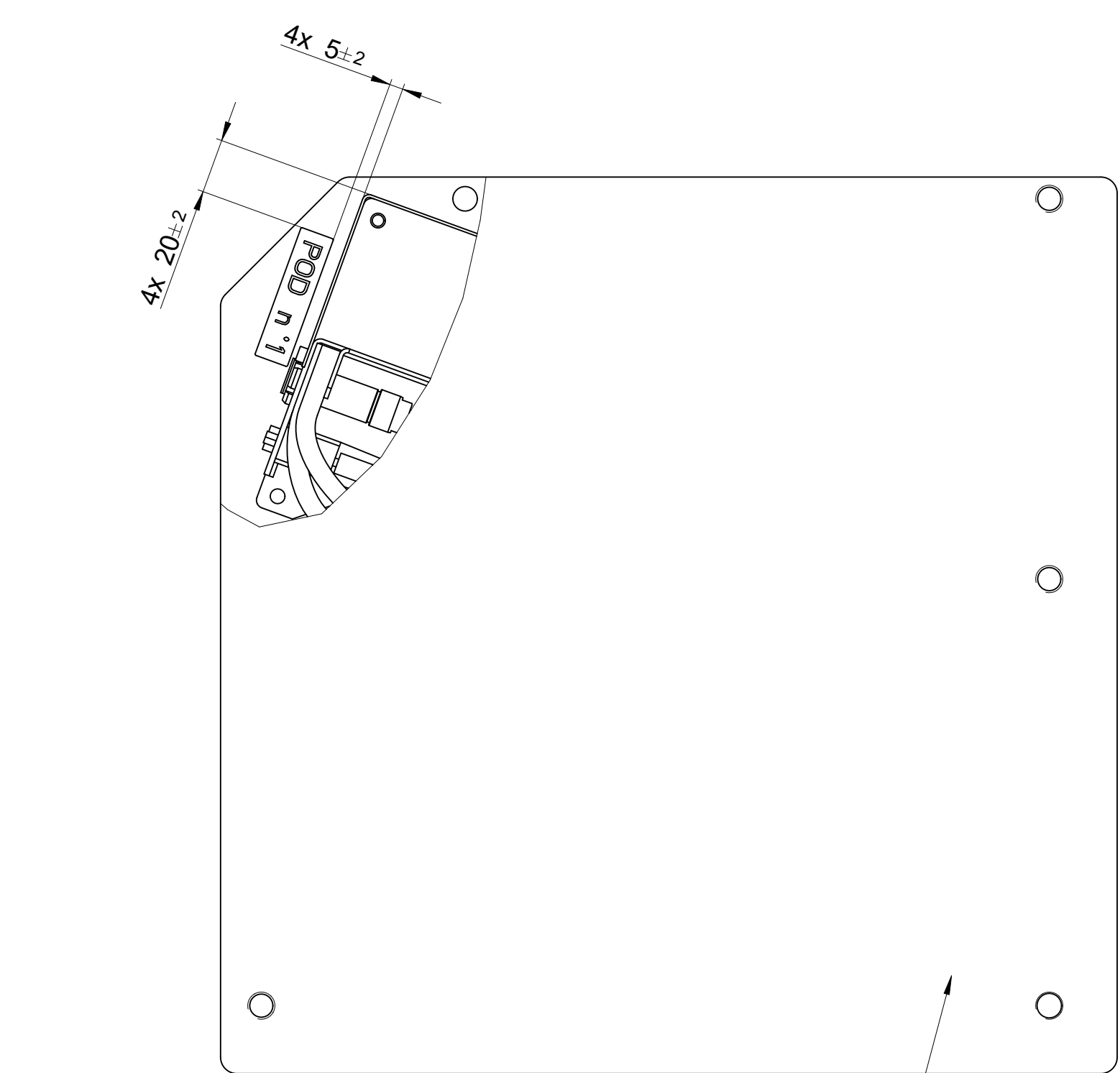
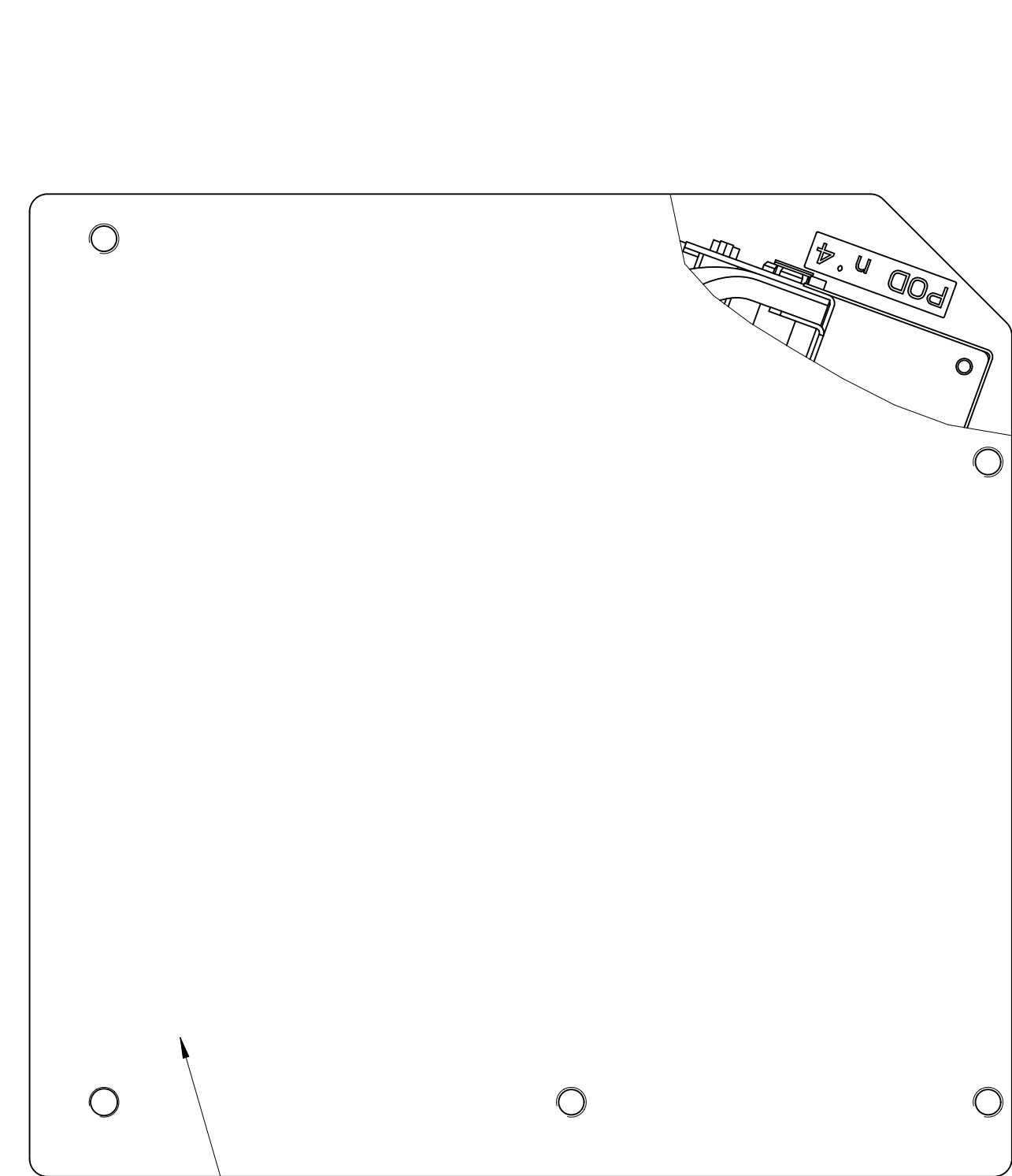
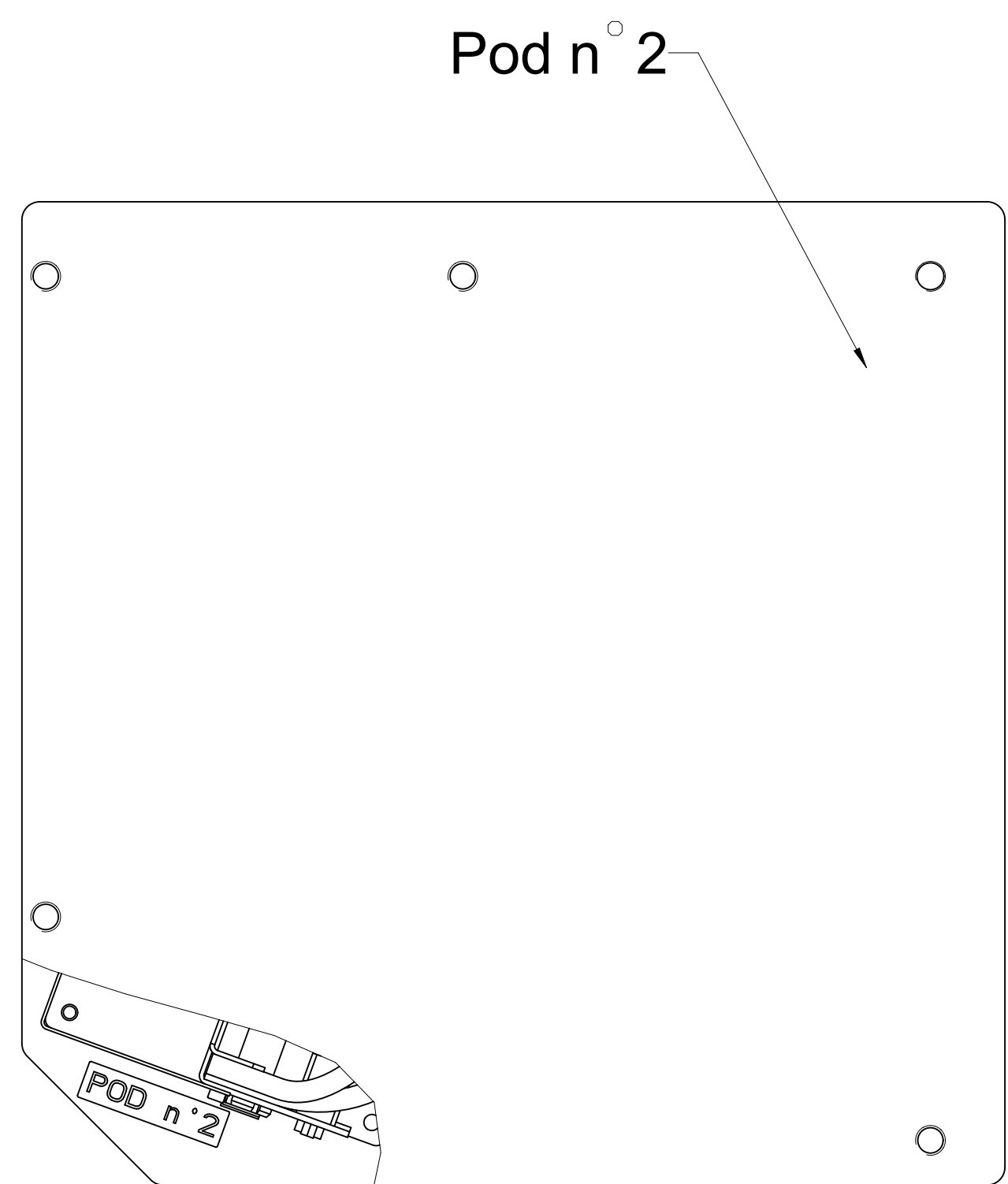
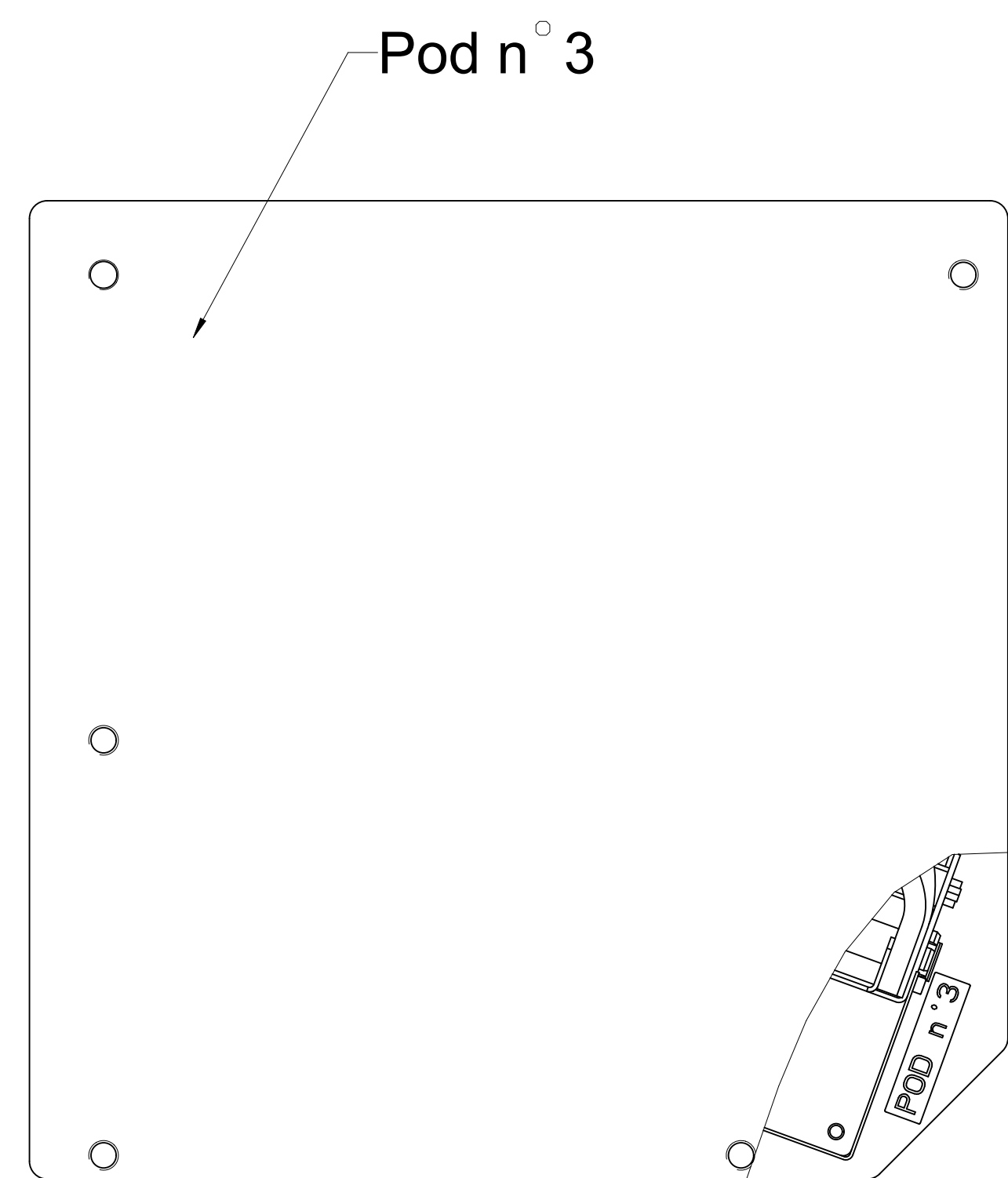
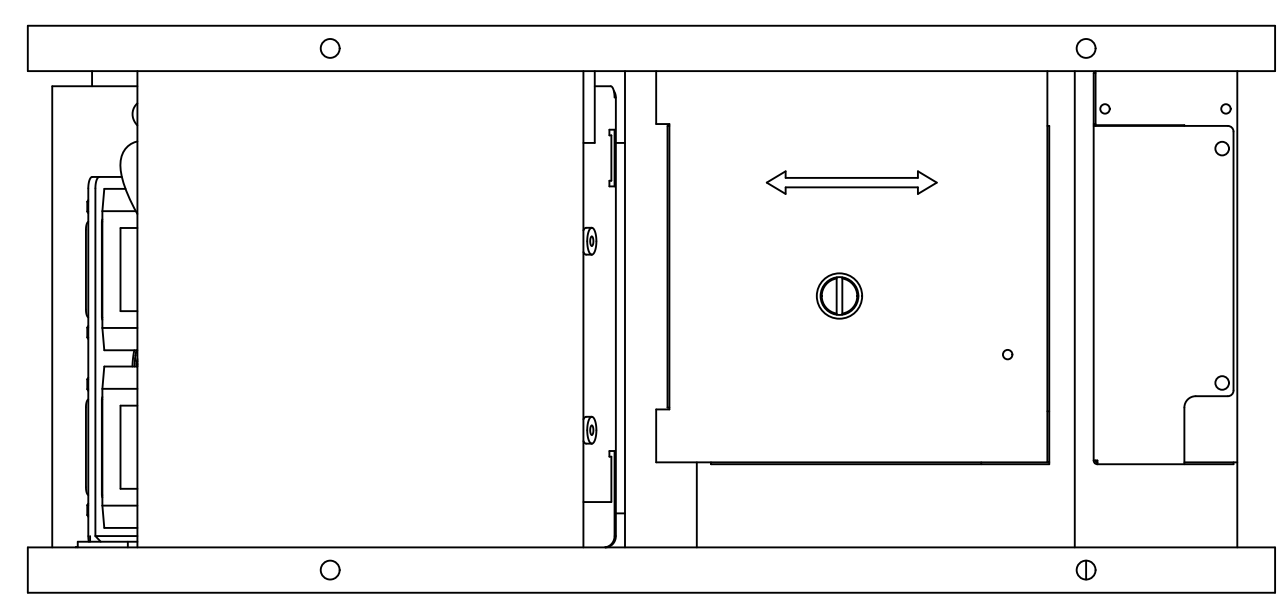
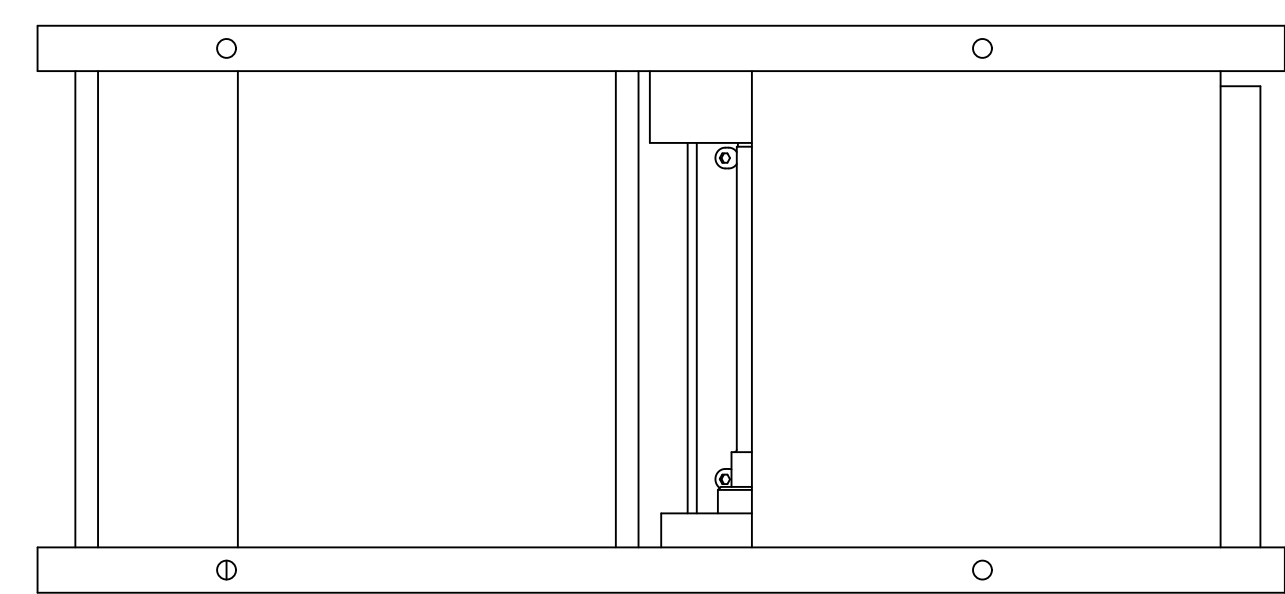


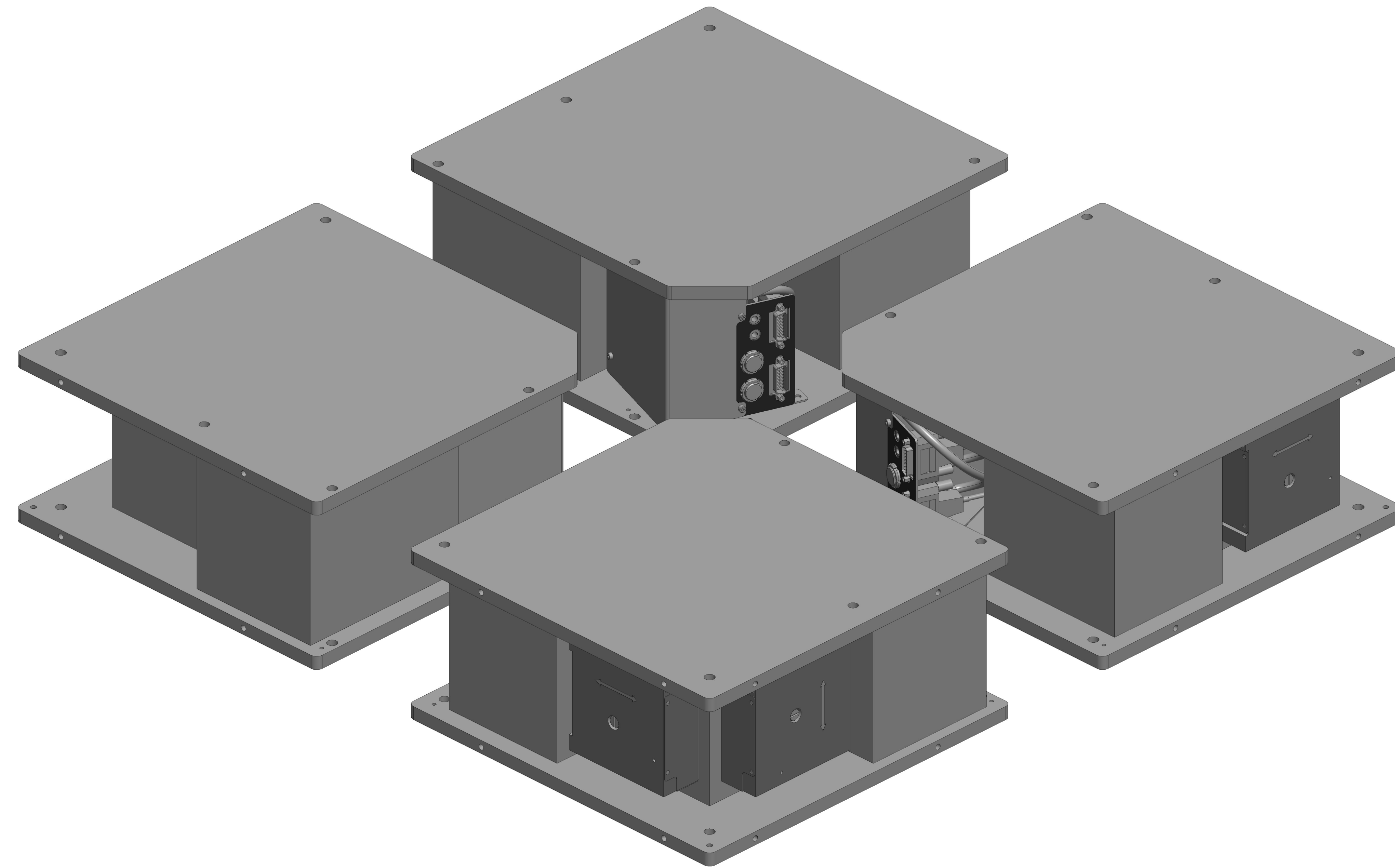
Text: Note for threads of shipping bracket		ID number: 1397314-01
Original drawing	Scale: 1:1	Change No.: C17022719
Released	Released	Released: 22.08.2024
Tolerances as per ISO 8015: 2011		Tolerances series ISO 8015: 2011
Forming Dimensions / Cotes d'environnement		Dimensions sans tolérance
Dimensions sans tolérance		Dimensions sans tolérance
The reproduction, distribution and utilization of this document as well as the communication of its contents to others without express authorization is prohibited. Offenders will be held liable for the payment of damages. All rights reserved in the event of the grant of a patent, utility model or design. (ISO 15016)		
ETEL S.A. 2112 Môtier SWITZERLAND		Version (Revision Sheet) Page 1397321-02-A-01 1 of 1



Pod n° 4
Always without geoder

Pod n° 1

A-A



Text: Note for threads of slipping bracket		ID number: 1397314-01
Original drawing		Change No. C17025719
Scale: 1:1 Format: A0		Released: 22.08.2024
Tolerances as per ISO 8015: 2011		Tolerances series ISO 8015: 2011
Mating Dimensions / Cotes d'encastrement		Dimensions without tolerance
Dimensions with tolerance		Dimensions with tolerance
The reproduction, distribution and utilization of this document as well as the communication of its contents to others without express authorization is prohibited. Offenders will be held liable for the payment of damages. All rights reserved in the event of the grant of a patent, utility model or design. (ISO 15016)		
ETEL S.A. 2112 Möhrle SWITZERLAND		Version (Revision Sheet) Page 1397321-02-A-01 2 of 2