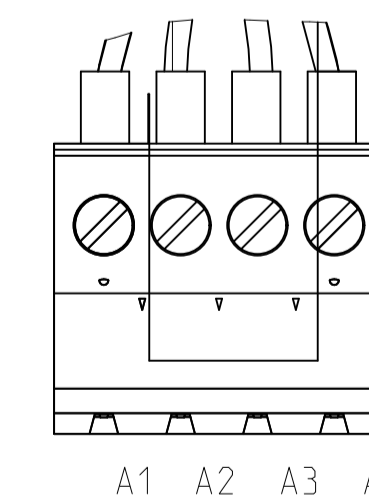


Encoder Connector Pinning

Pin	Function
4	+5V
5, 12	GND
6	COS-
7	SIN-
8	IDX-
13	COS+
14	SIN+
15	IDX+
1, 2, 3, 9, 10, 11	Not Connected

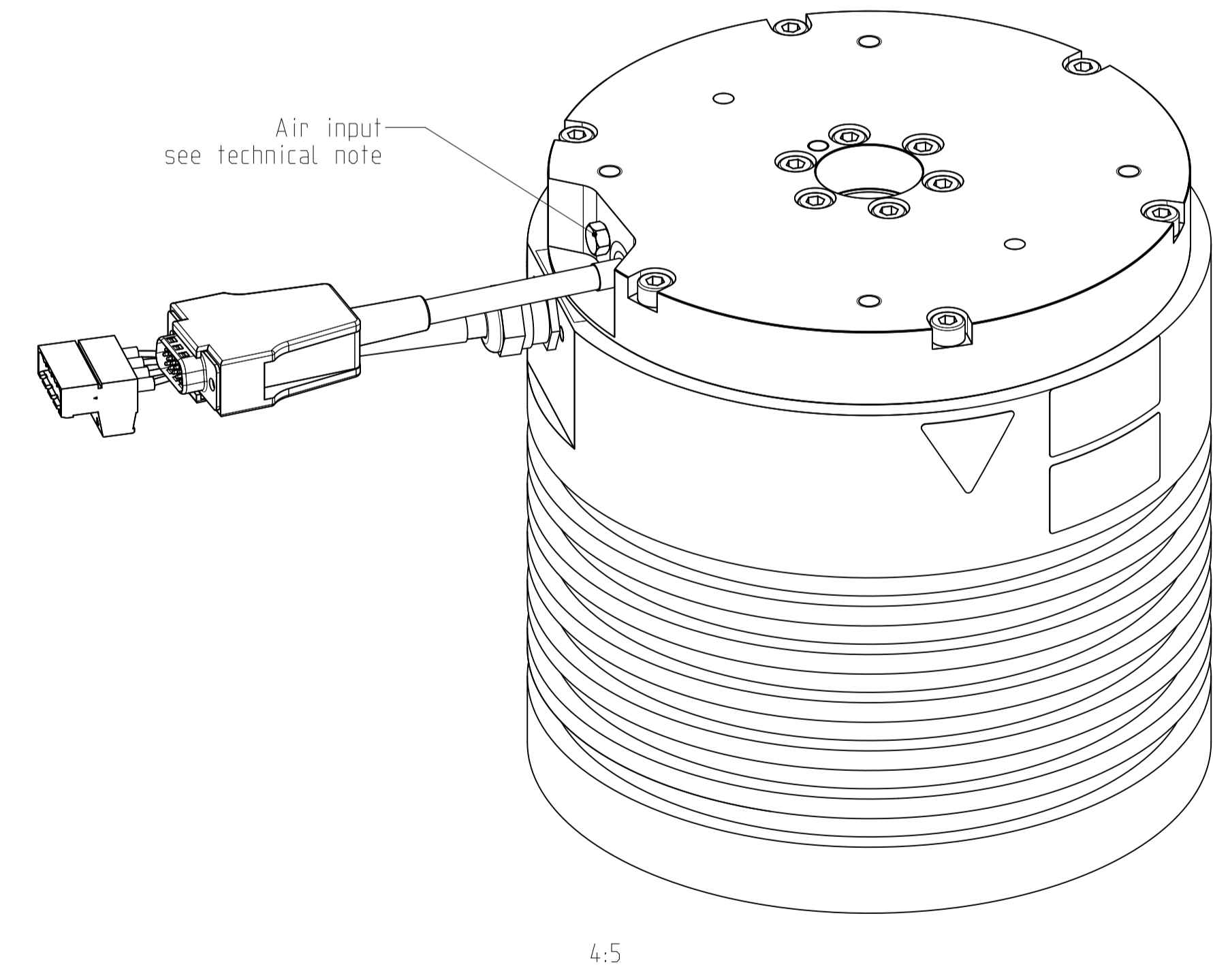
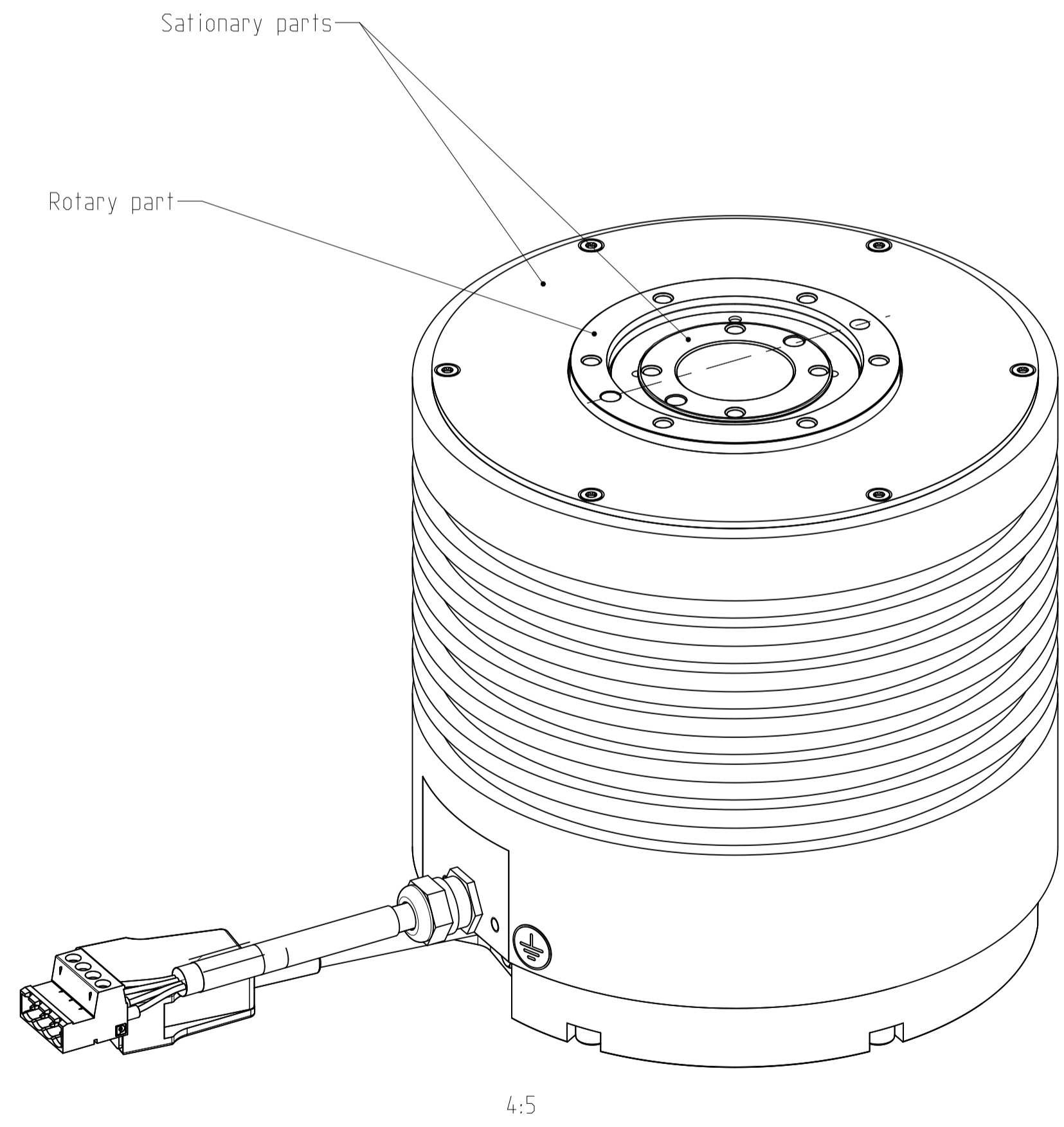
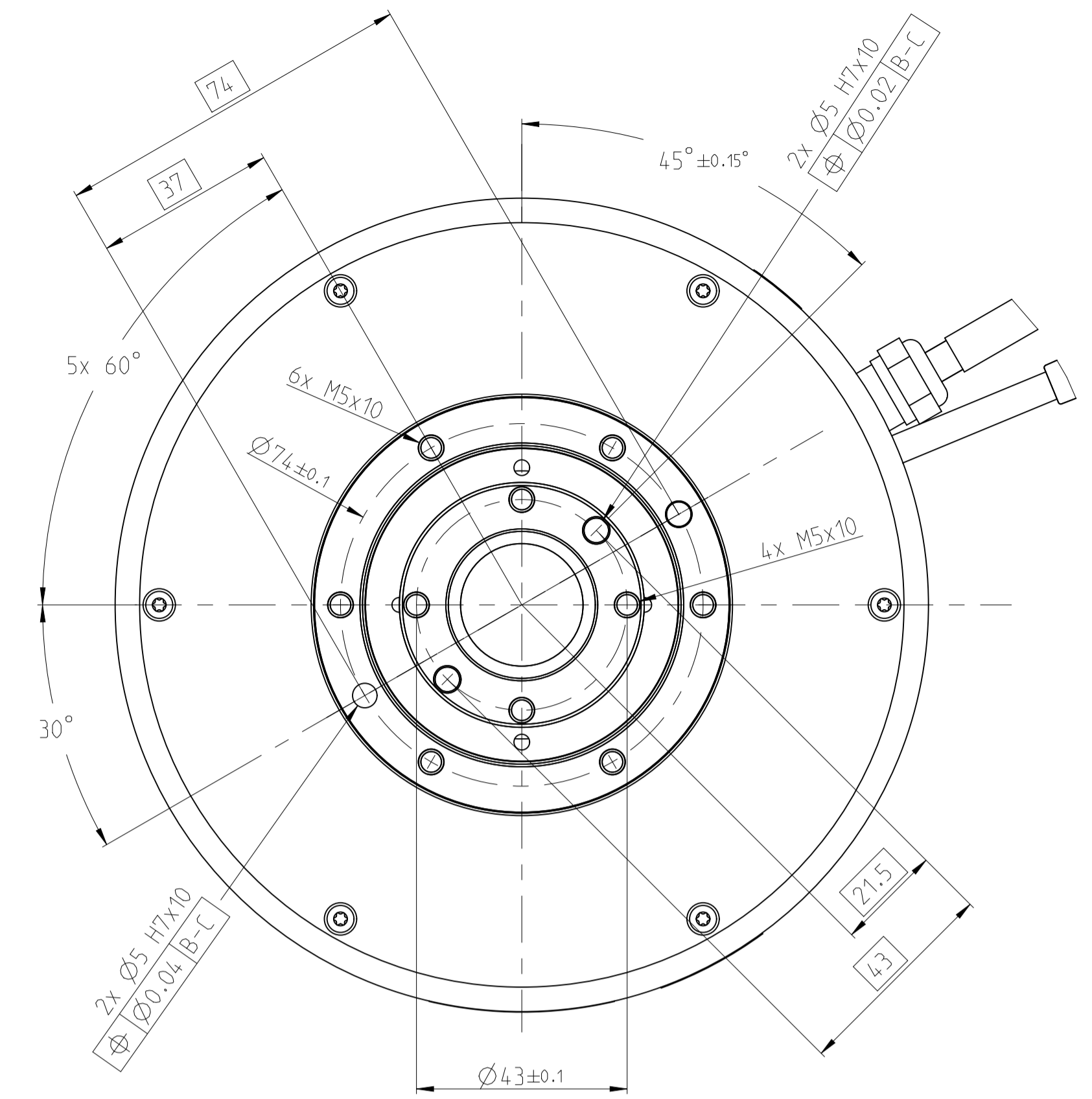
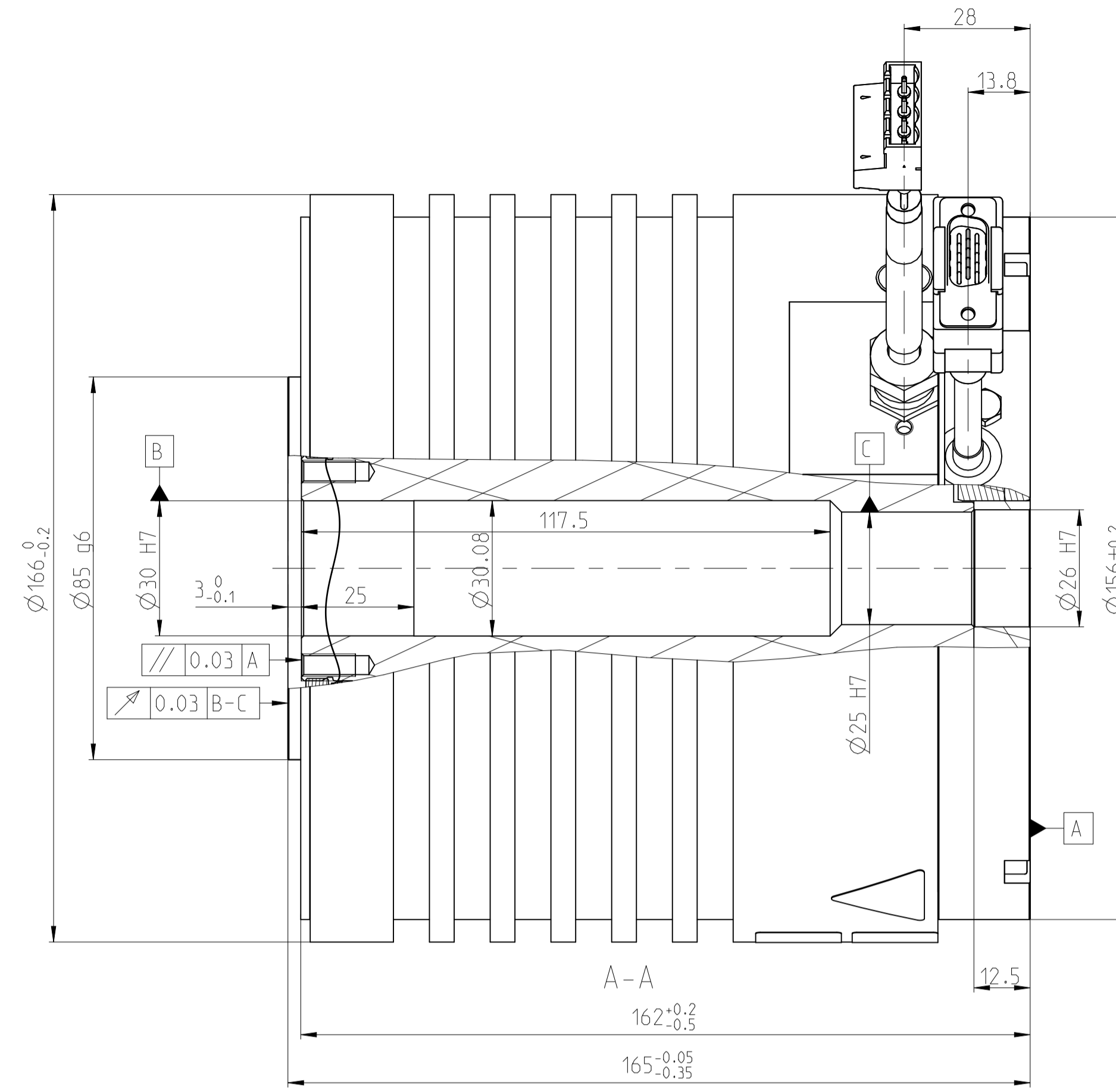
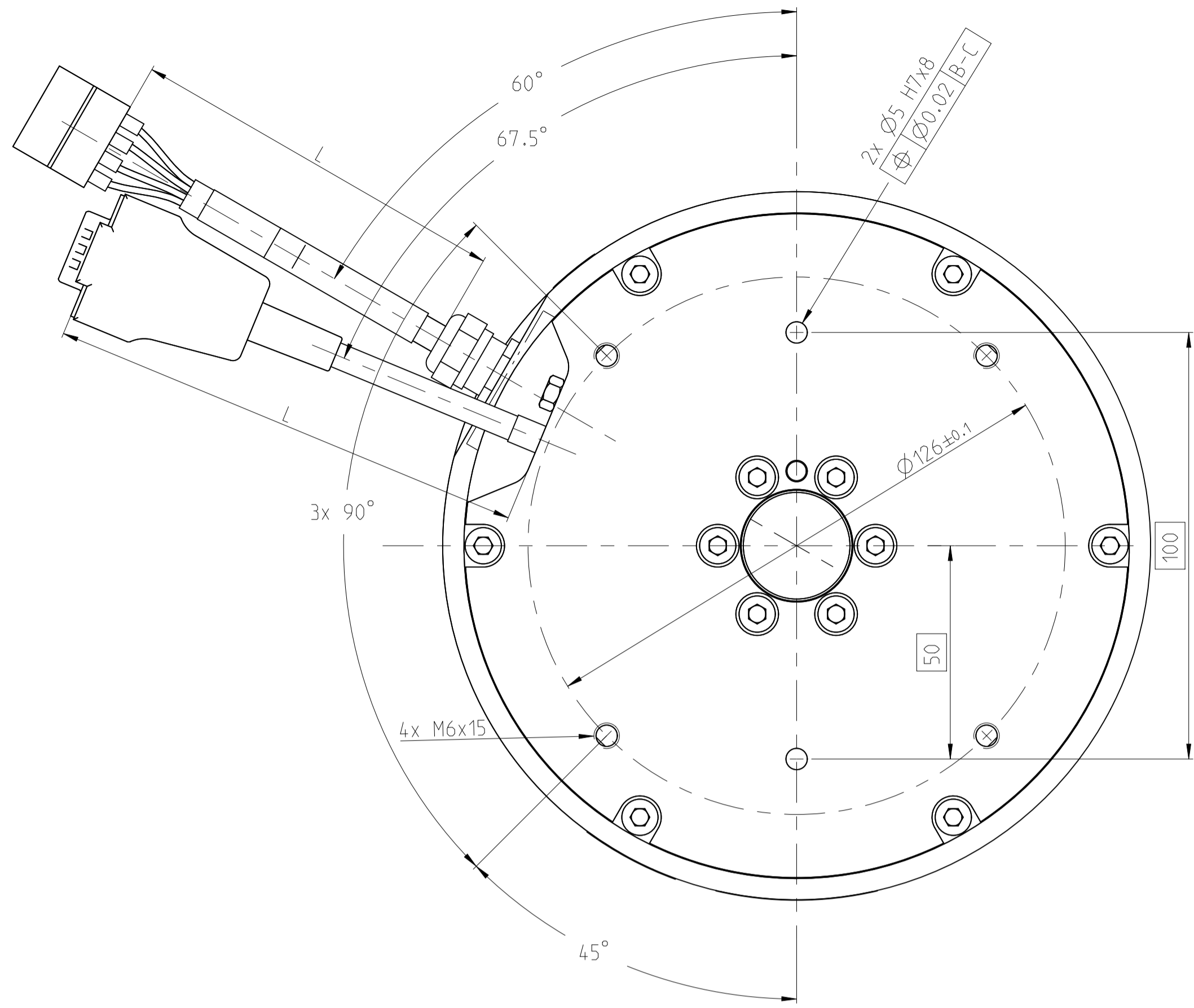
300V Connector Pinning

Pin	Wire	Function
A1	Wire 3	Motor phase 3
A2	Wire 2	Motor phase 2
A3	Wire 1	Motor phase 1
A4	Gr-Ye	Protective Earth



Variante	Part n°	Winding	L	Tol.
ASME-RTMBi1400703RAS0000	1161902-01	3RAS	5000	±100
ASME-RTMBi1400703RBS0000	1161902-02	3RBS	5000	±100

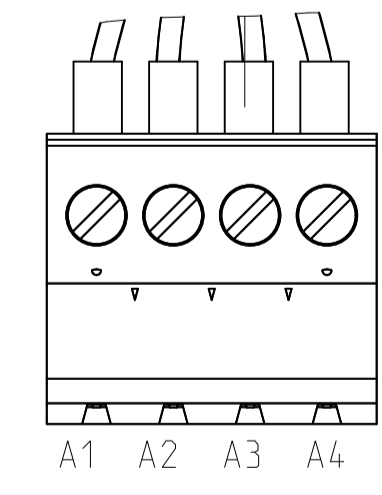
01	Text : 300V Connector Pinning corrected	1161902-01
	Release n° : C037473-35	Part number
Material :	-	
Treatment:	-	
Edges of undefined shape ISO 13715	-	
	-	
ASME-RTMBi1400703**S0000 - Interface		Drawn: Chichiric Checked: Mazerolle Approved: Mazerolle Date: 09.05.2016
ASME-RTMBi1400703**S0000 - Interface ETEL S.A. 2712 Möllens SWITZERLAND www.etel.ch		Projection: A1 Size: 1:1 Scale: 1:1 Old n°: 1164611 Version/Revision: 01 A Sheet: 01 Page: 1



Encoder Connector Pinning

Pin	Function
4	+5V
5, 12	GND
6	COS-
7	SIN-
8	IDX-
13	COS+
14	SIN+
15	IDX+
1, 2, 3, 9, 10, 11	Not Connected

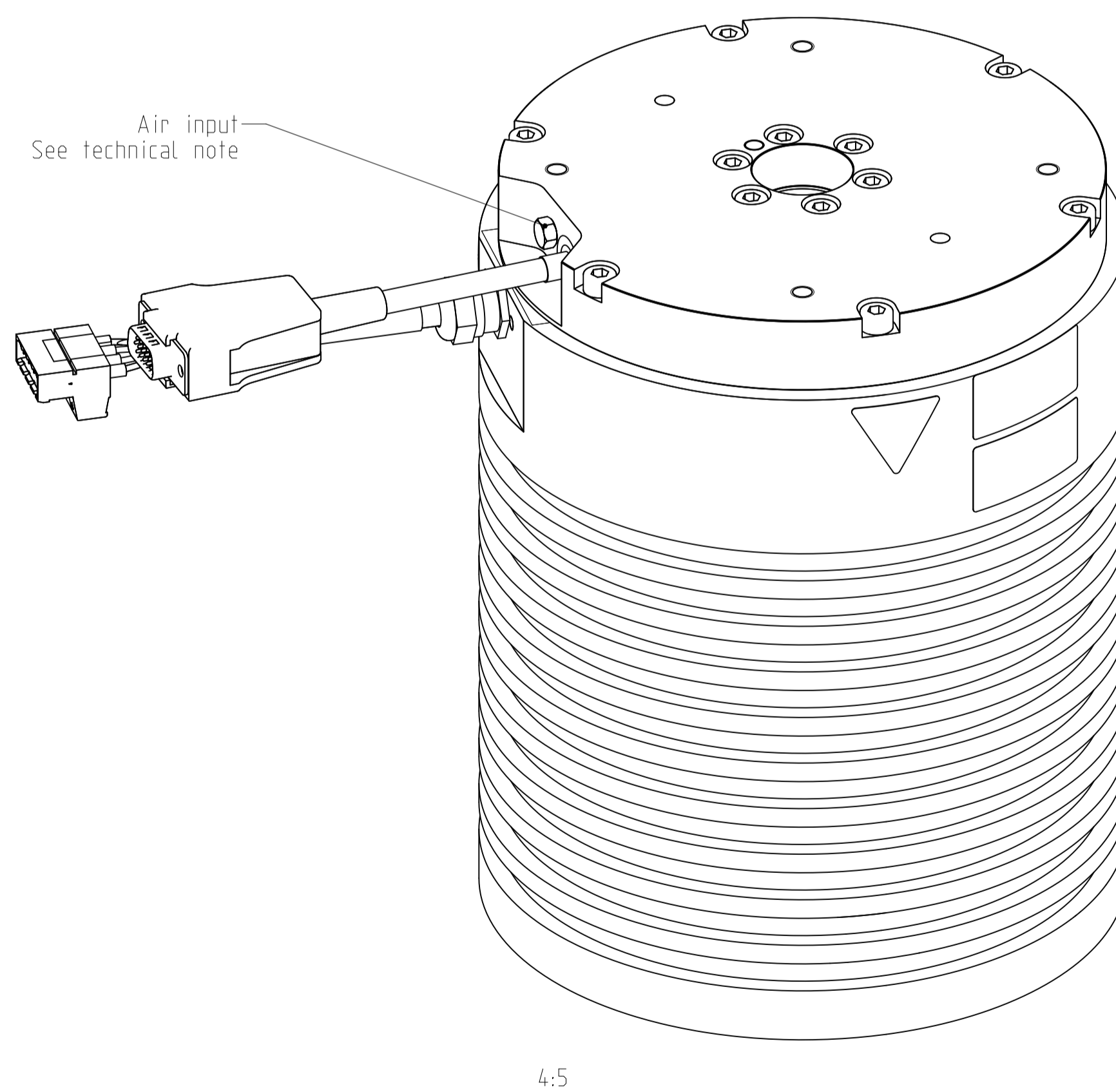
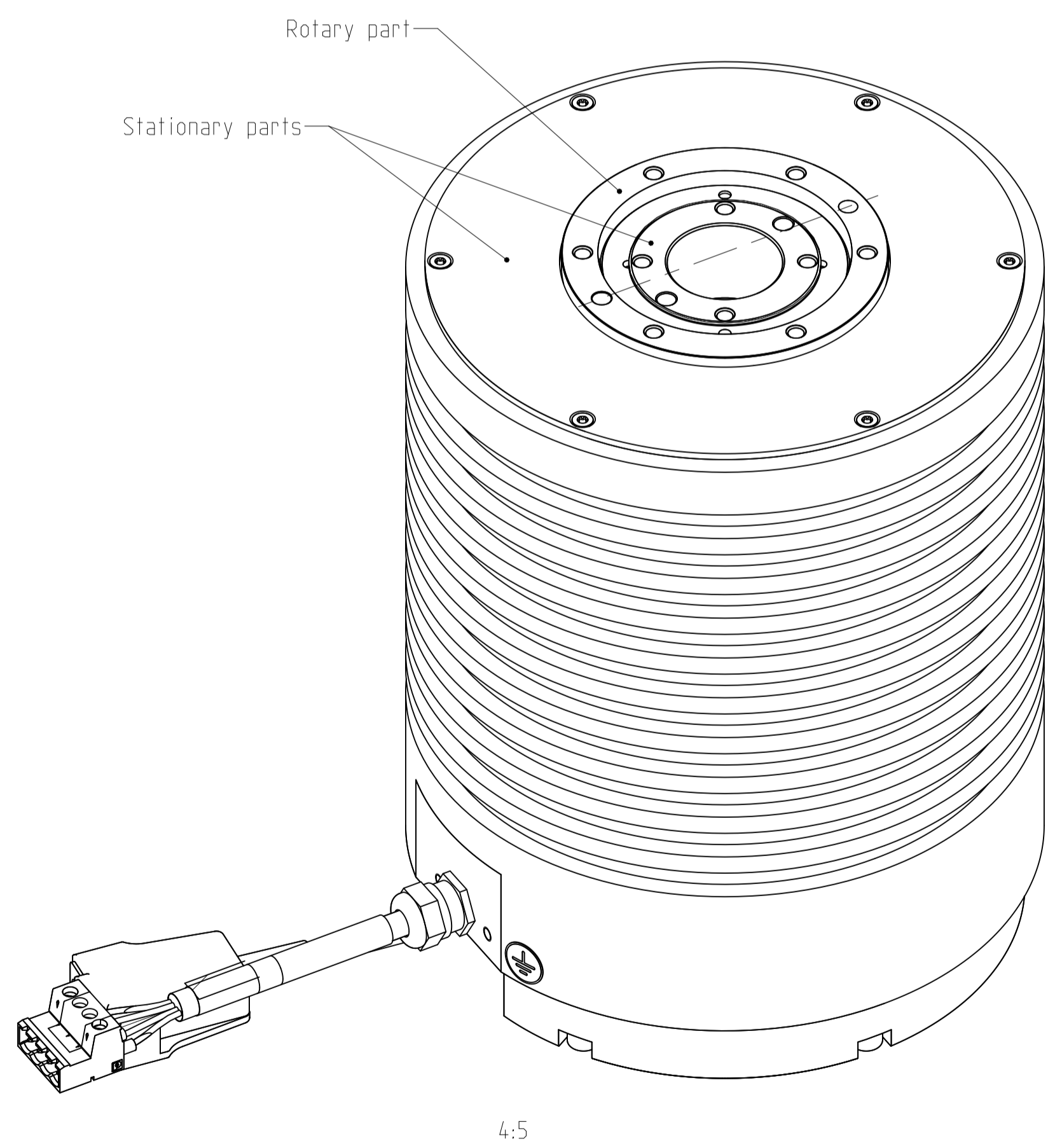
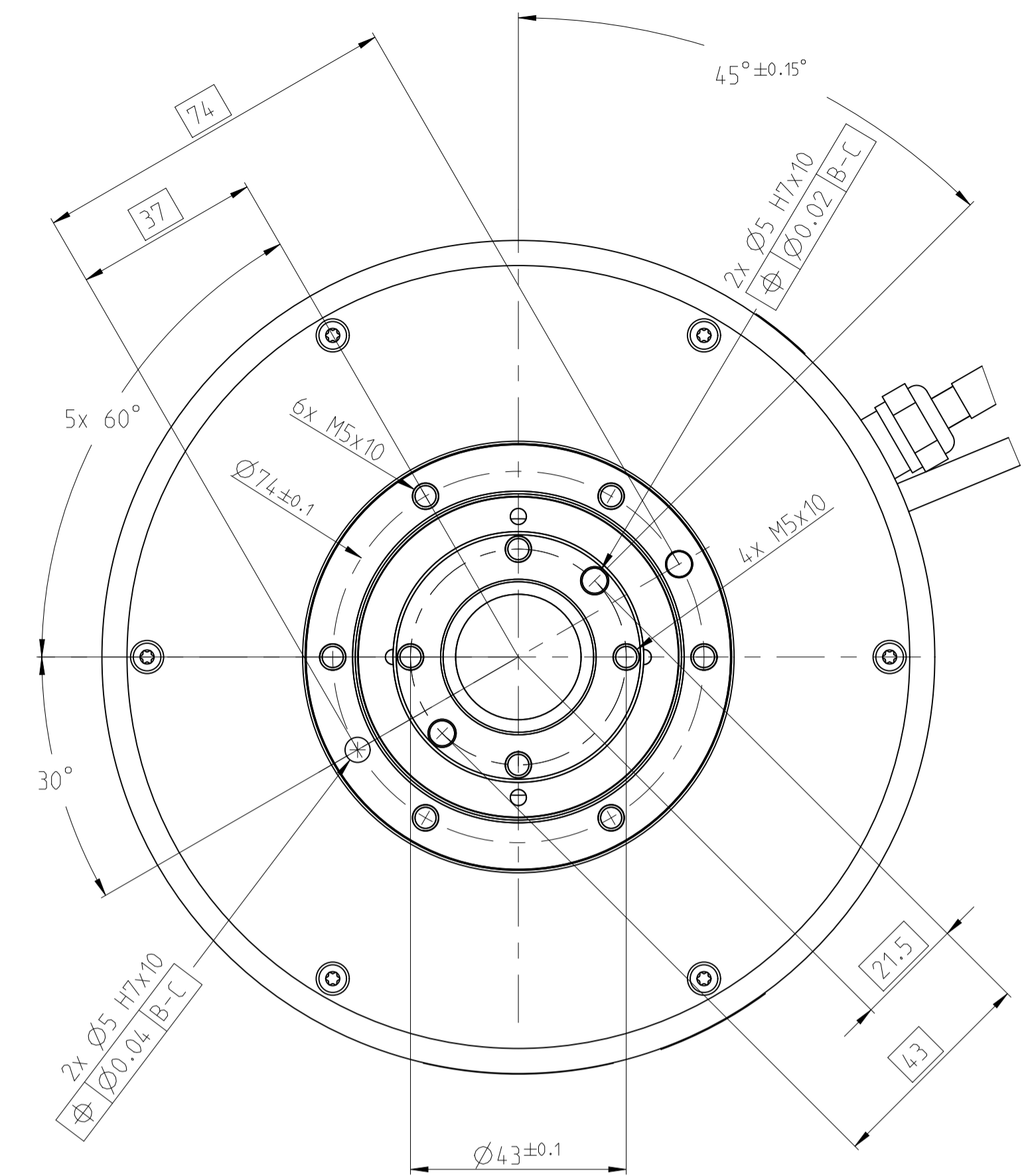
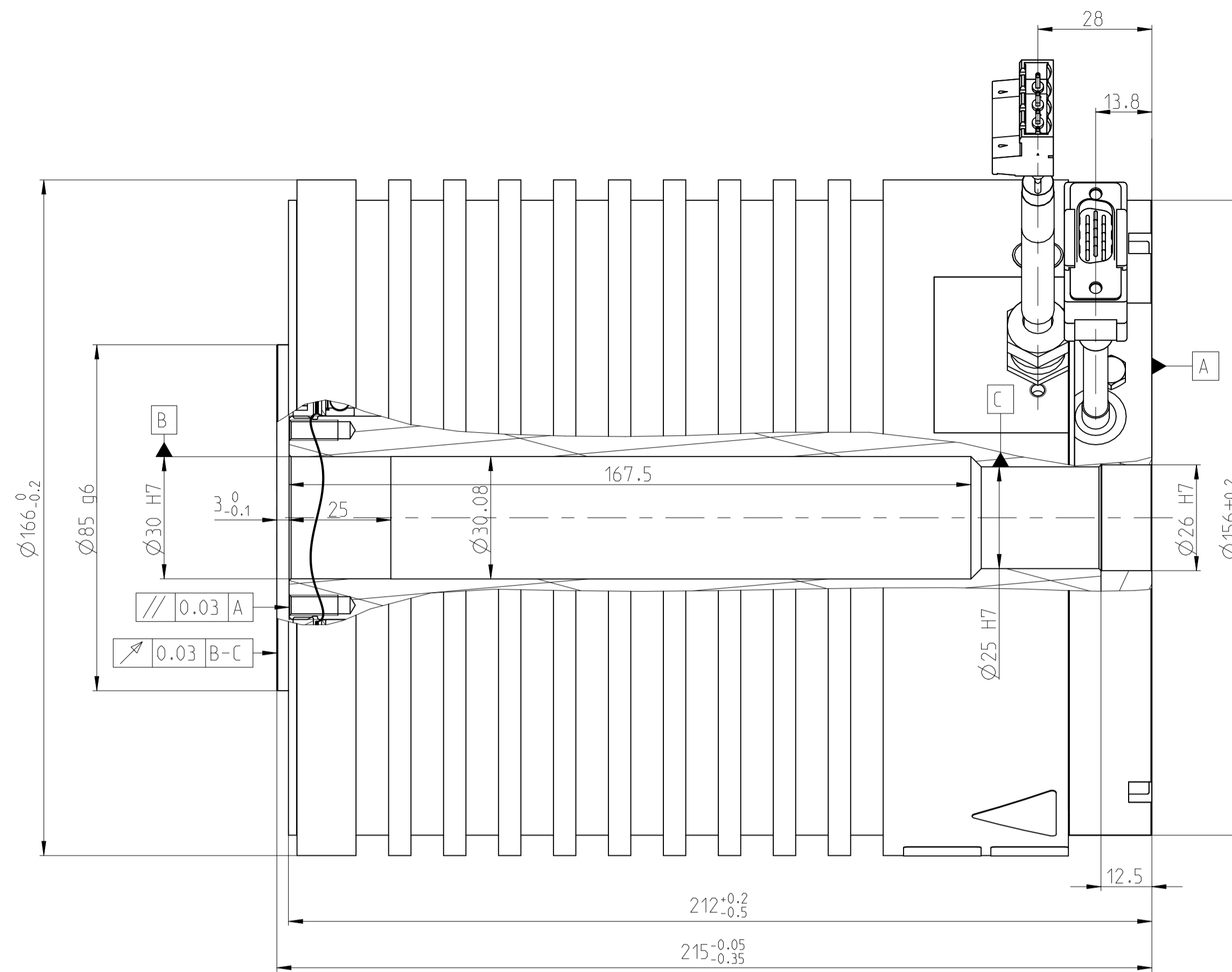
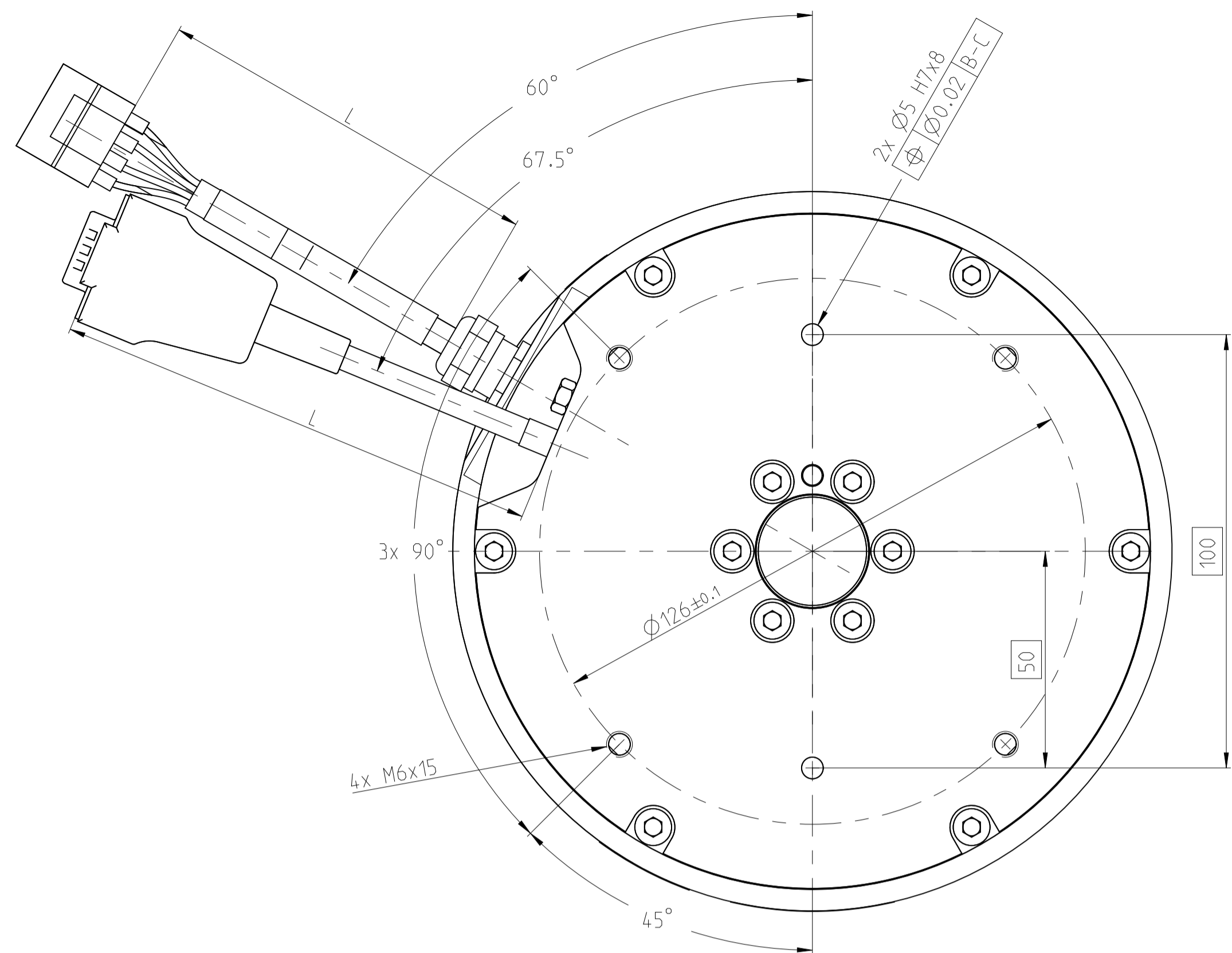
300V Connector Pinning



Pin	Wire	Function
A1	Wire 3	Motor Phase 3
A2	Wire 2	Motor phase 2
A3	Wire 1	Motor phase 1
A4	Gr-Ye	Protective Earth

Variant	Part n°	Winding	L	Tol.
ASME-RTMBi1401003RAS0000	1161903-01	3RAS	5000	±100
ASME-RTMBi1401003RBS0000	1161903-02	3RBS	5000	±100

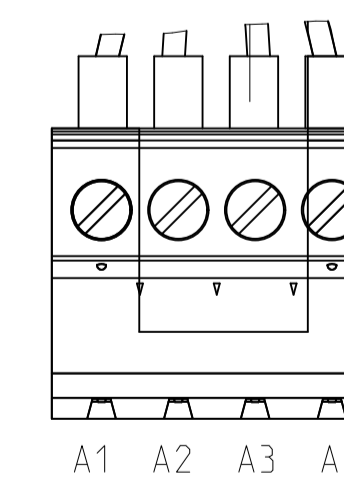
02	Text : -	1161903-01
	Release n° : C037473-30	Part number
Material :	-	
Treatment:	-	
Edges of undefined shape ISO 13715	-	
	-	
	-	
ASME-RTMBi1401003**S0000-Interface		Drawn : Chichiric Checked : Mazerolle Approved : Mazerolle 09.05.2016 27.05.2016
ETEL S.A. 2712 Möhligen SWITZERLAND	This document is the property of ETEL S.A. and is submitted in confidence. Disclosure, reproduction or application without written authorization is prohibited.	Projection : A1 Size : A1 Scale : 1:1 Old n° : 1163679 Version/Revision : 02 A Sheet : 01 Page : 1



Encoder Connector Pinning

Pin	Function
4	+5V
5, 12	GND
6	COS-
7	SIN-
8	IDX-
13	COS+
14	SIN+
15	IDX+
1, 2, 3, 9, 10, 11	Not Connected

300V Connector Pinning



Pin	Wire	Function
A1	Wire 3	Motor phase 3
A2	Wire 2	Motor phase 2
A3	Wire 1	Motor phase 1
A4	Gr-Ye	Protective Earth

Variant	Part n°	Winding	L	Tol.
ASME-RTMBi1401503RAS0000	1161904-01	3RAS	5000	±100
ASME-RTMBi1401503RBS0000	1161904-02	3RBS	5000	±100
ASME-RTMBi1401503TBS0000	1161904-03	3TBS	5000	±100

01	Text : 300V Connector Pinning corrected	1161904-01
	Release n° : C037473-40	Serial production
Material :	-	Part number
Treatment:	-	
Edges of undefined shape ISO 13715	-	
	-	
	-	
ASME-RTMBi1401503RAS0000 - Interface		Drawn: Chichiric Checked: Mazerolle Approved: Mazerolle Date: 09.05.2016
ETEL S.A. 2712 Mollens SWITZERLAND www.etel.ch		This document is the property of ETEL S.A. and is submitted in confidence. Disclosure, reproduction or application without written authorization is prohibited.
Projection	Size	Scale
A1	1:1	1:1
Doc n°:	Version/Revision	Sheet / Page
1162025	01 A	01 / 1