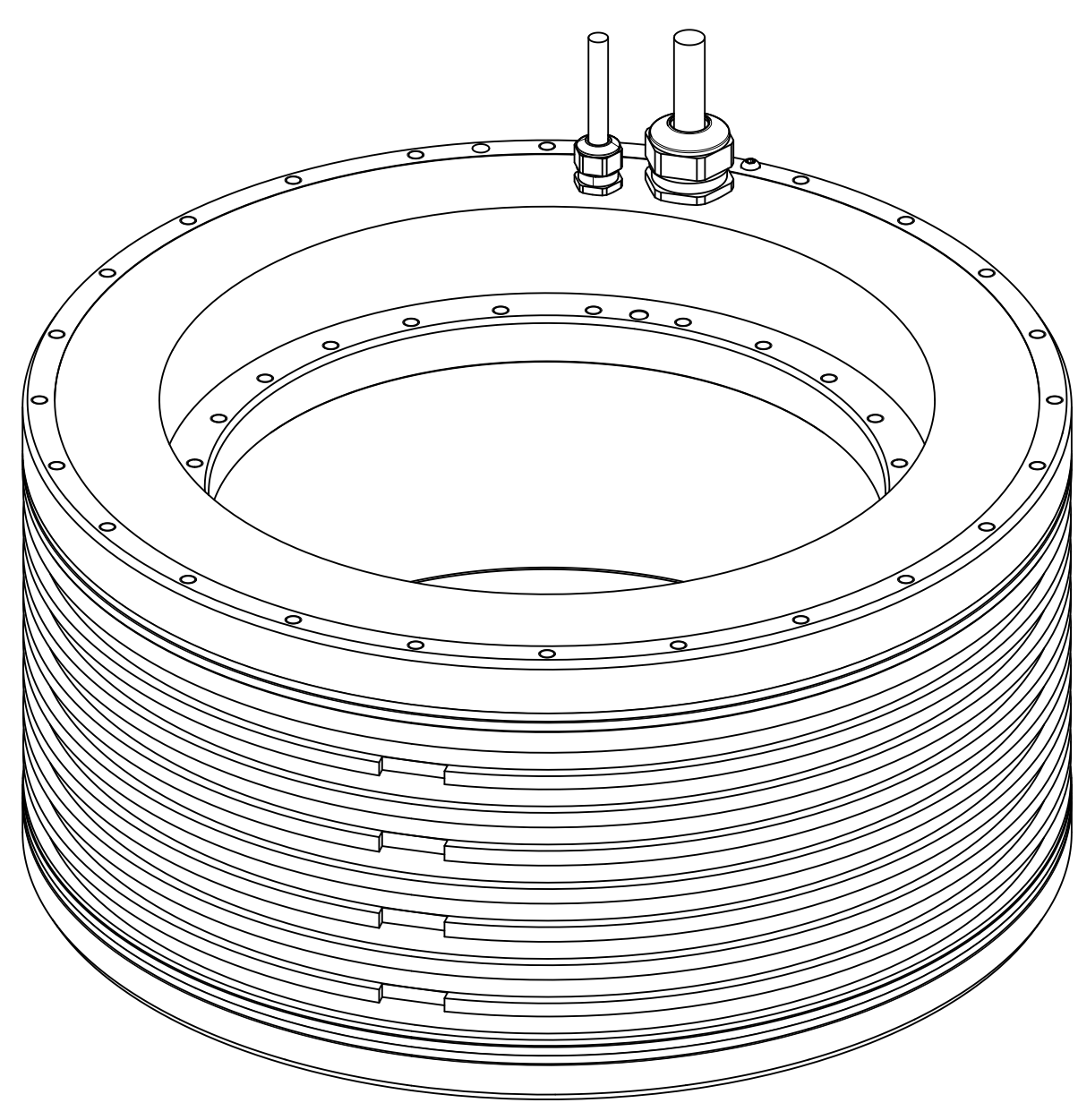
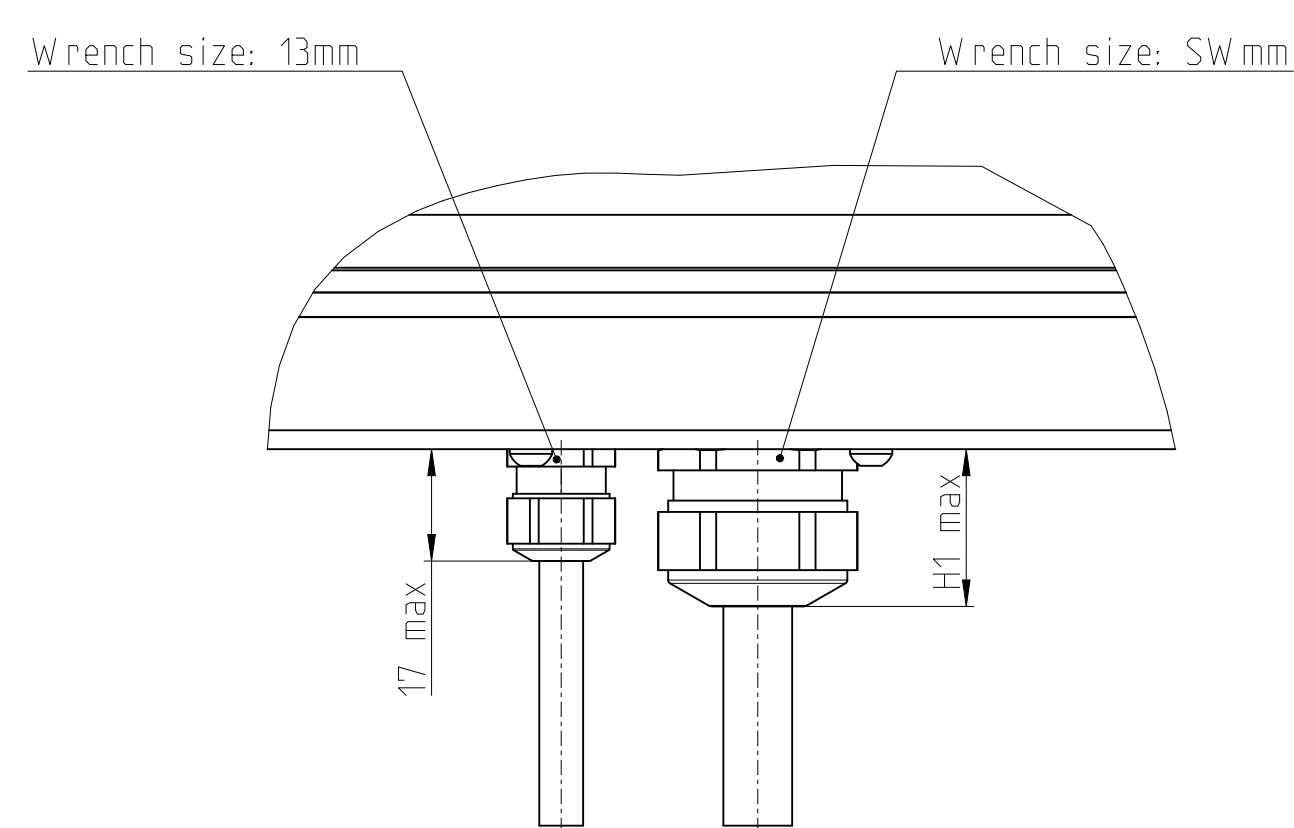
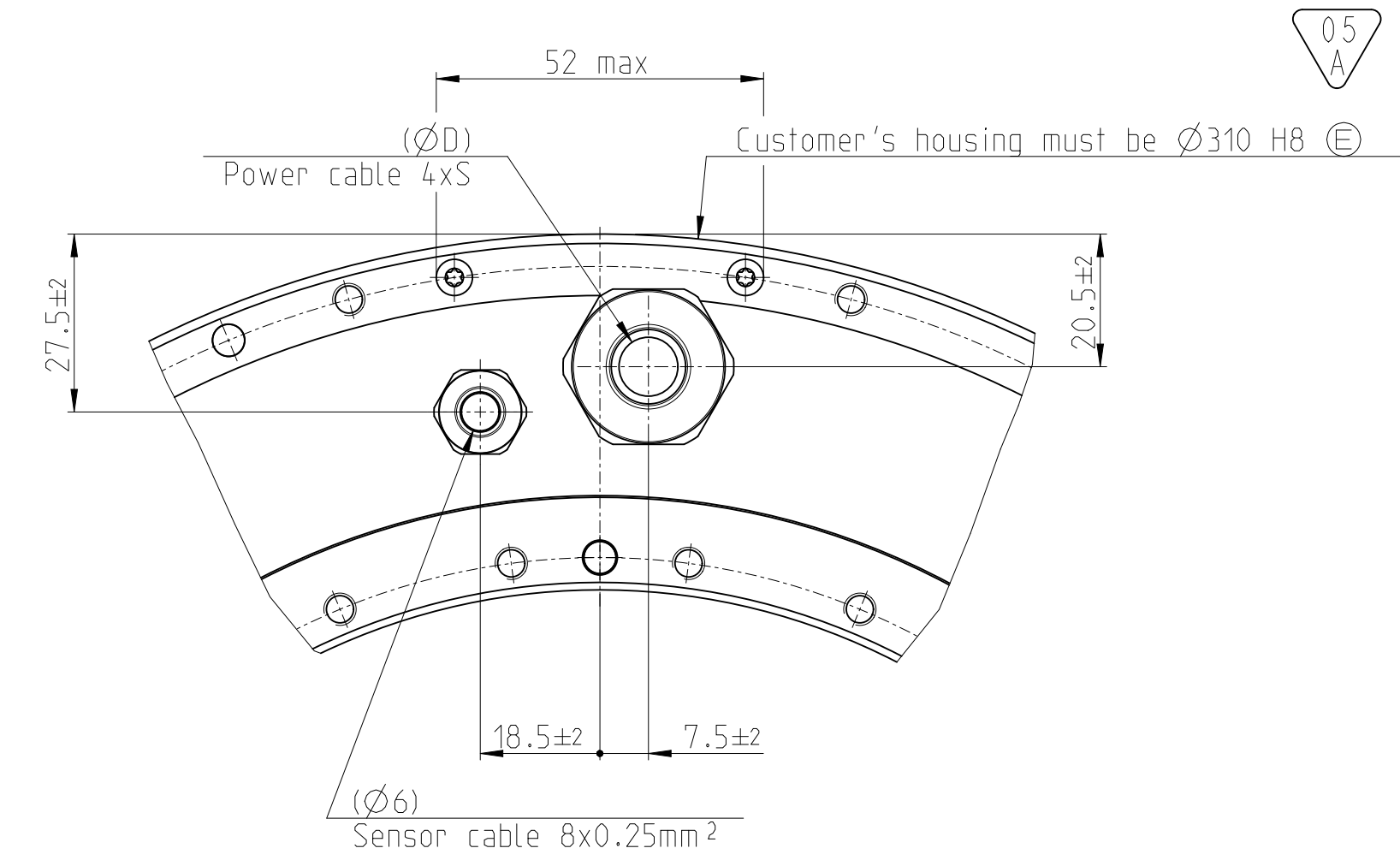
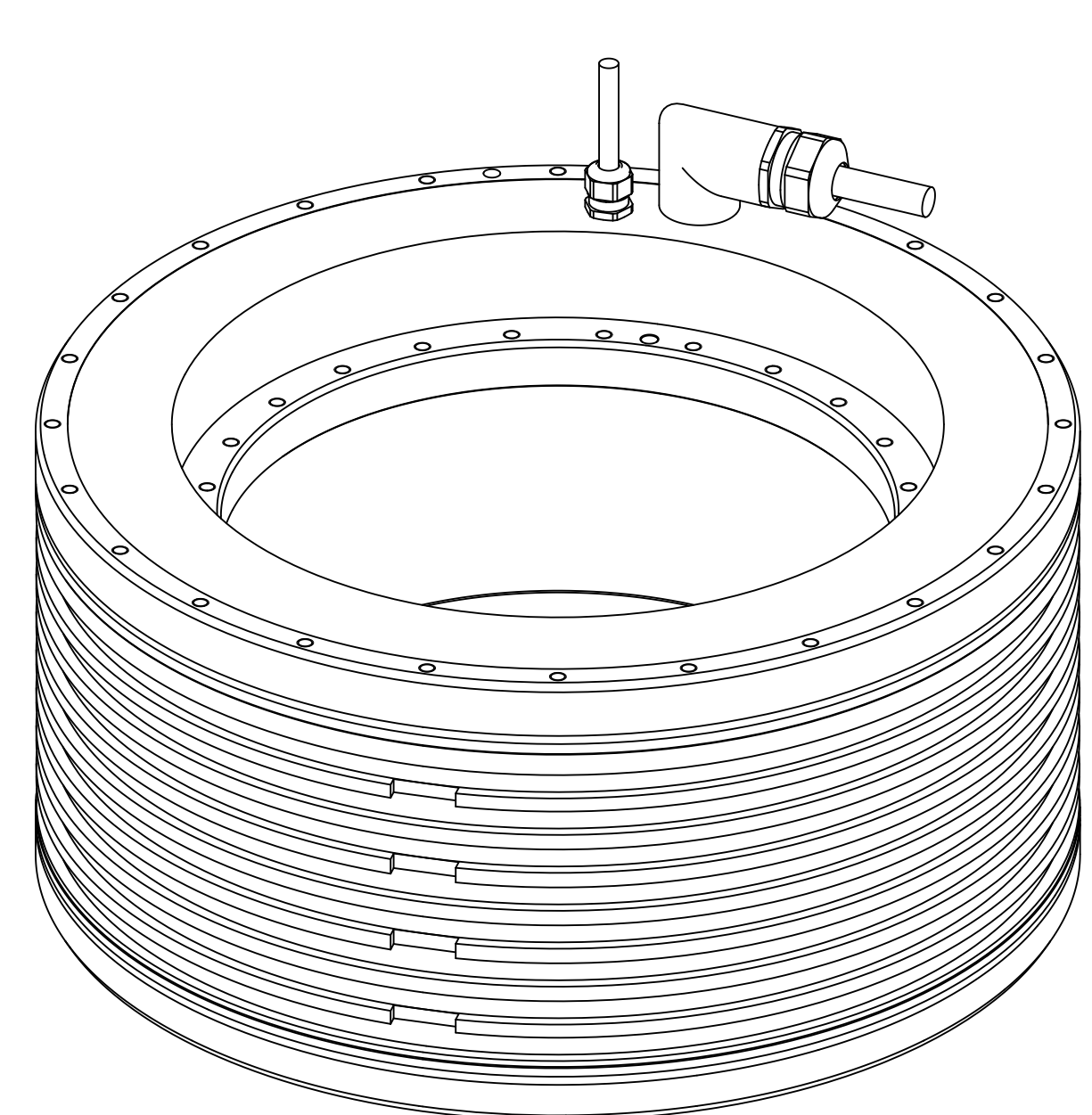
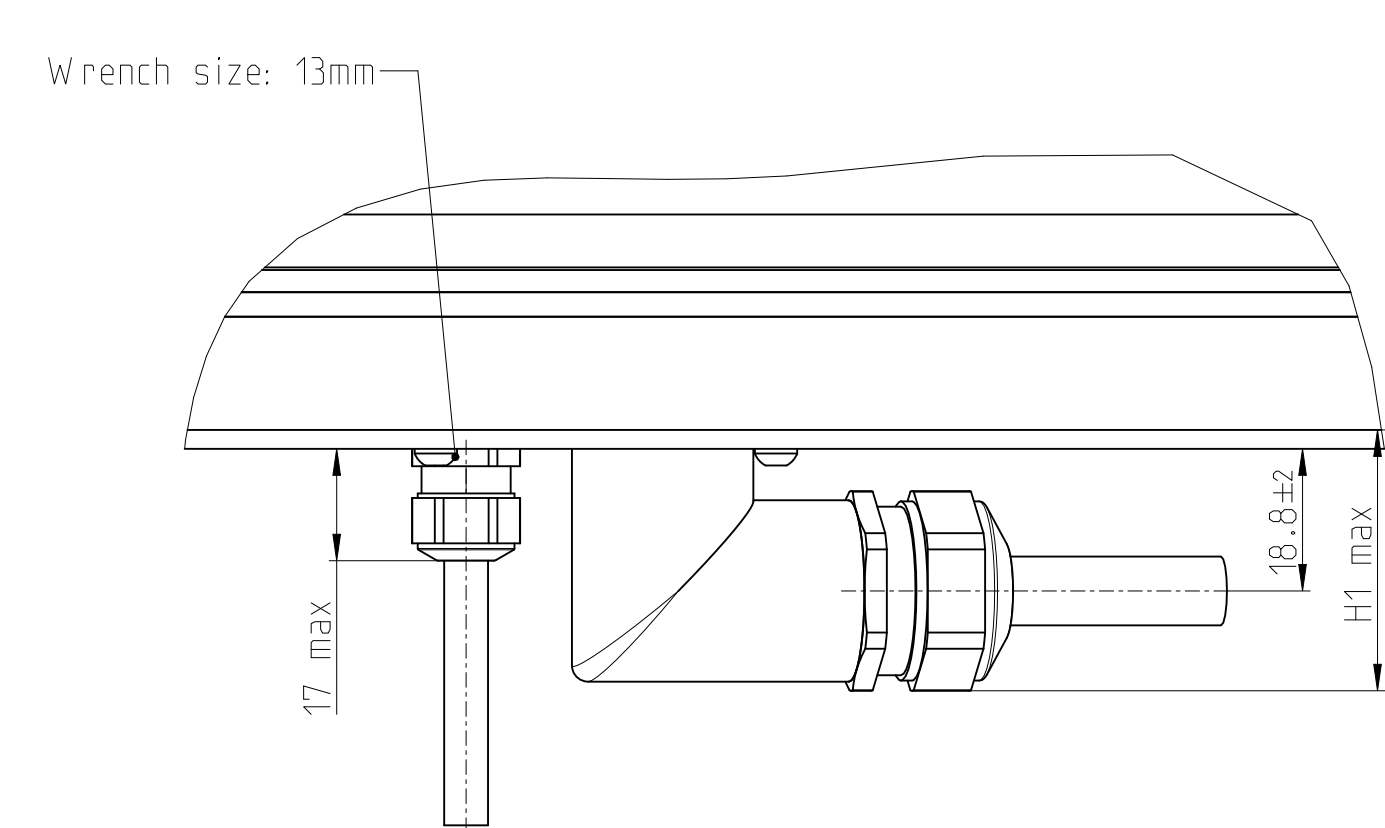
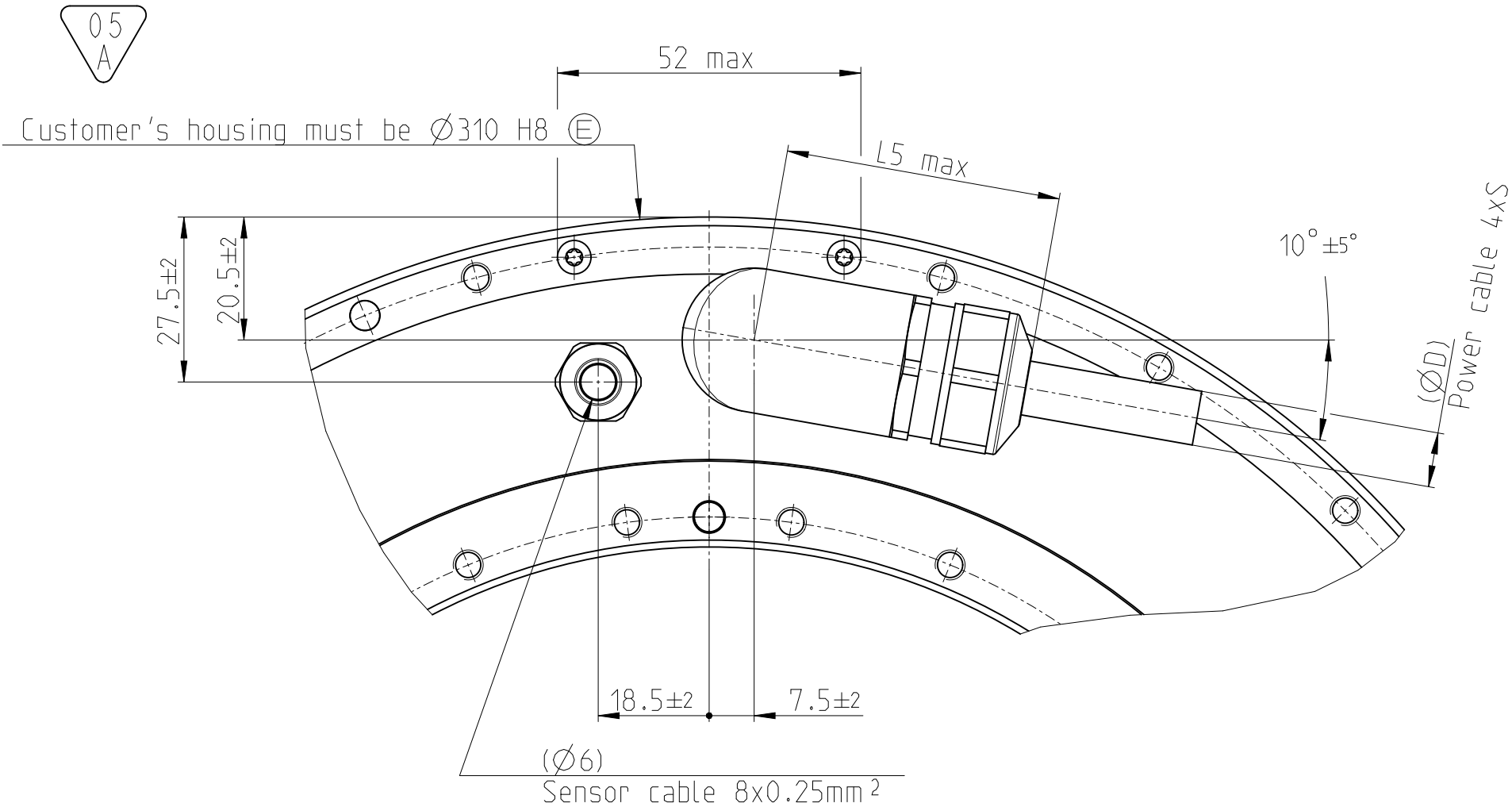


Designation	L1	L2	L3	L4	N1	N2	N3	N4	B1	B2
TMB+0291-030	80	55	10	31						
TMB+0291-050	100	75		51	12	12	12	12	30°	30°
TMB+0291-070	120	95		71						
TMB+0291-100	150	125	15	101						
TMB+0291-150	200	175		151	24	23	24	24	15°	15°
TMB+0291-200	250	225		202			48	47		7.5°

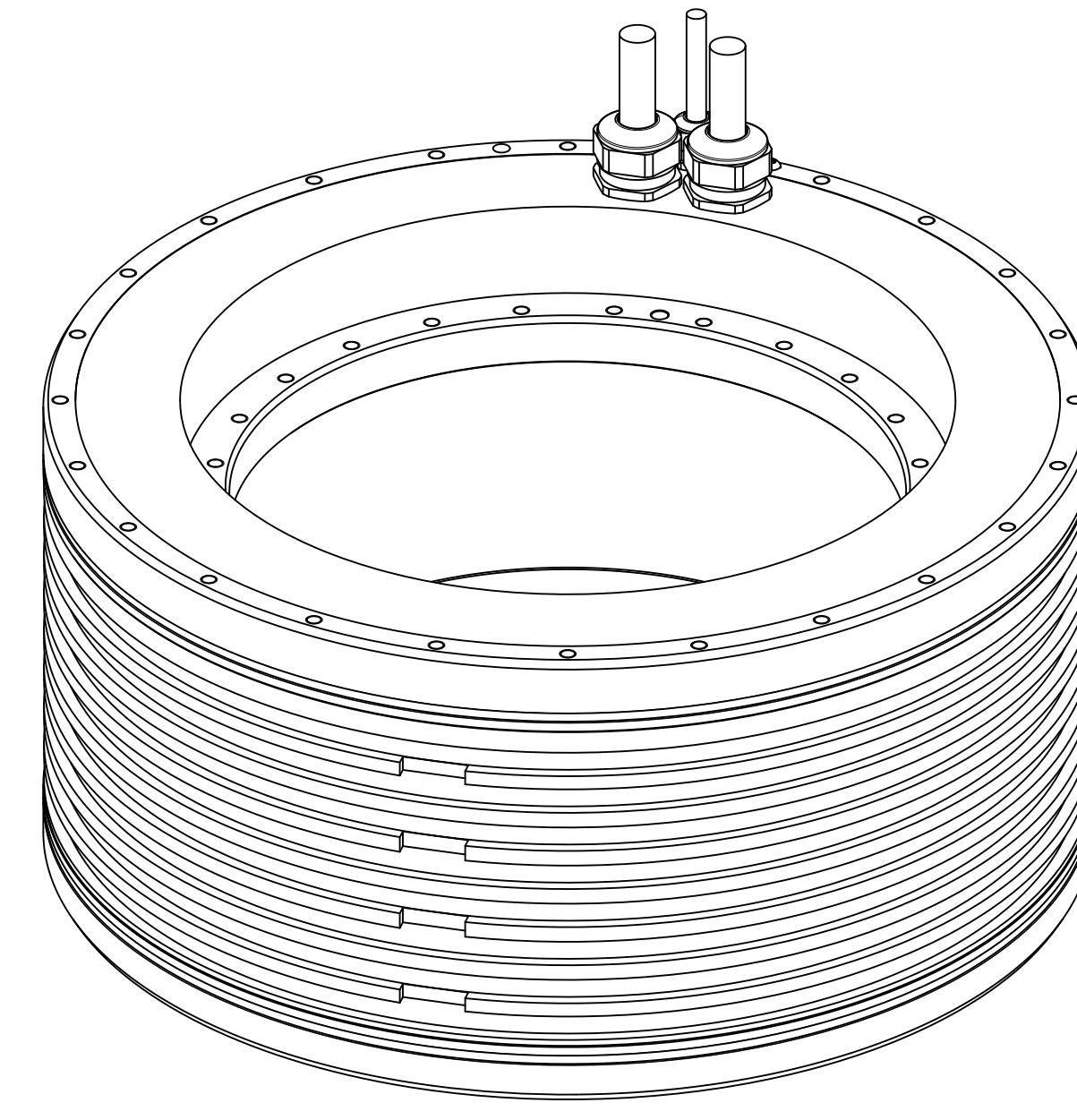
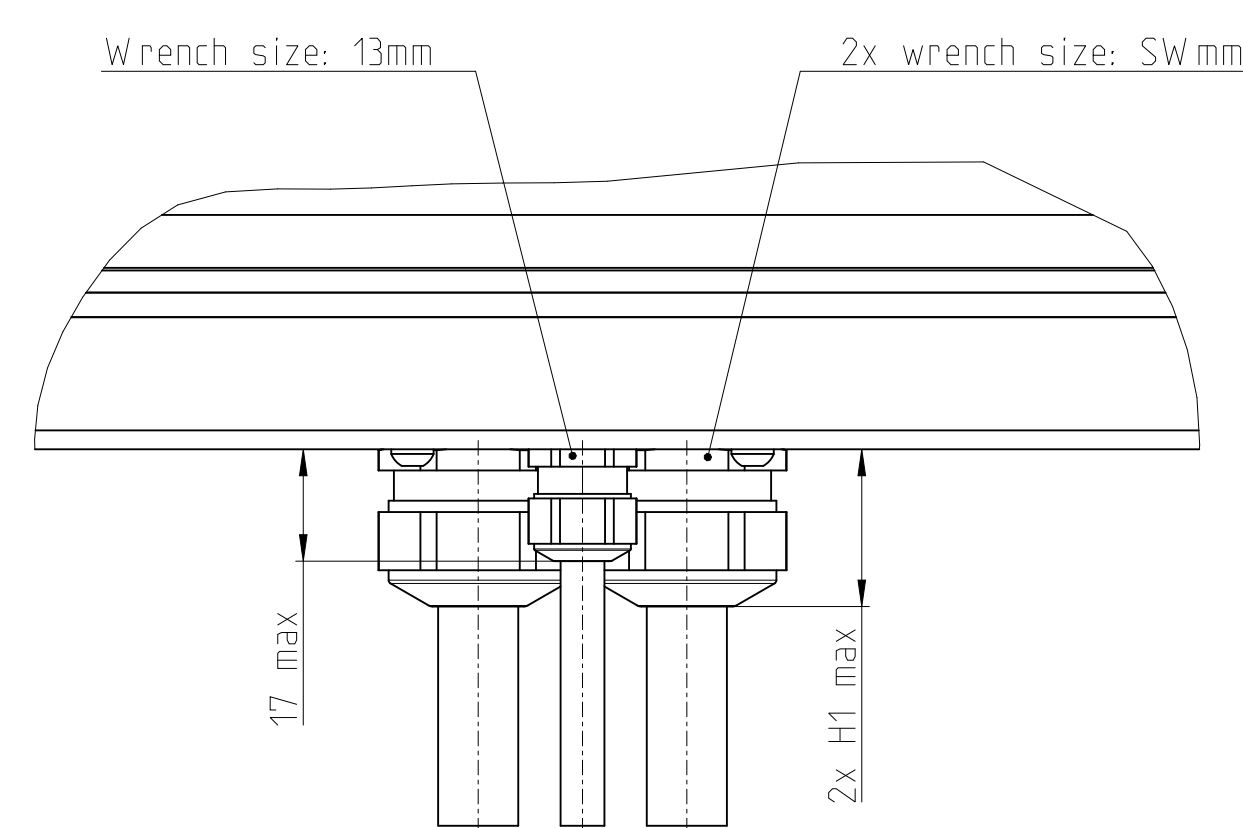
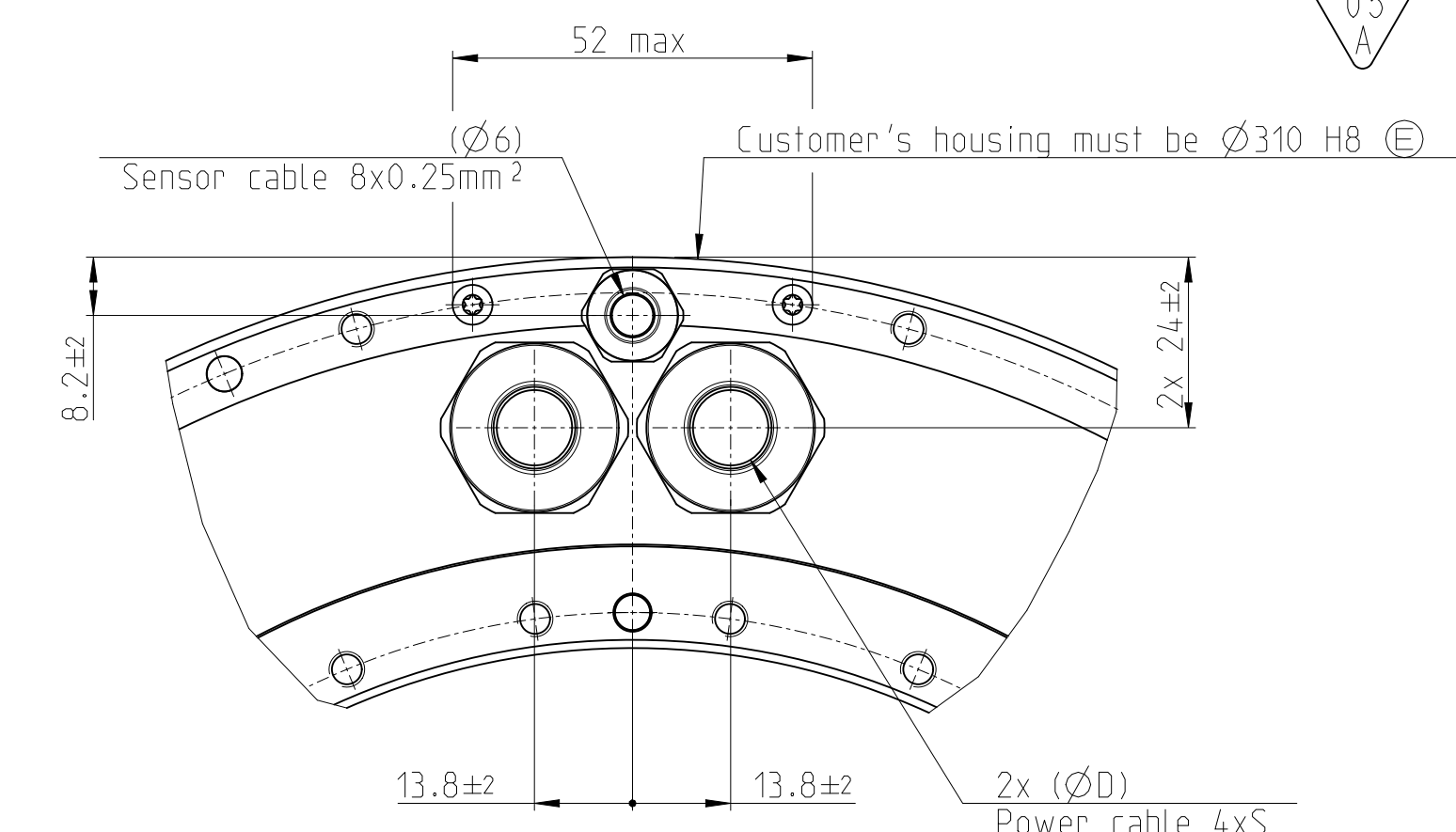
Type 1



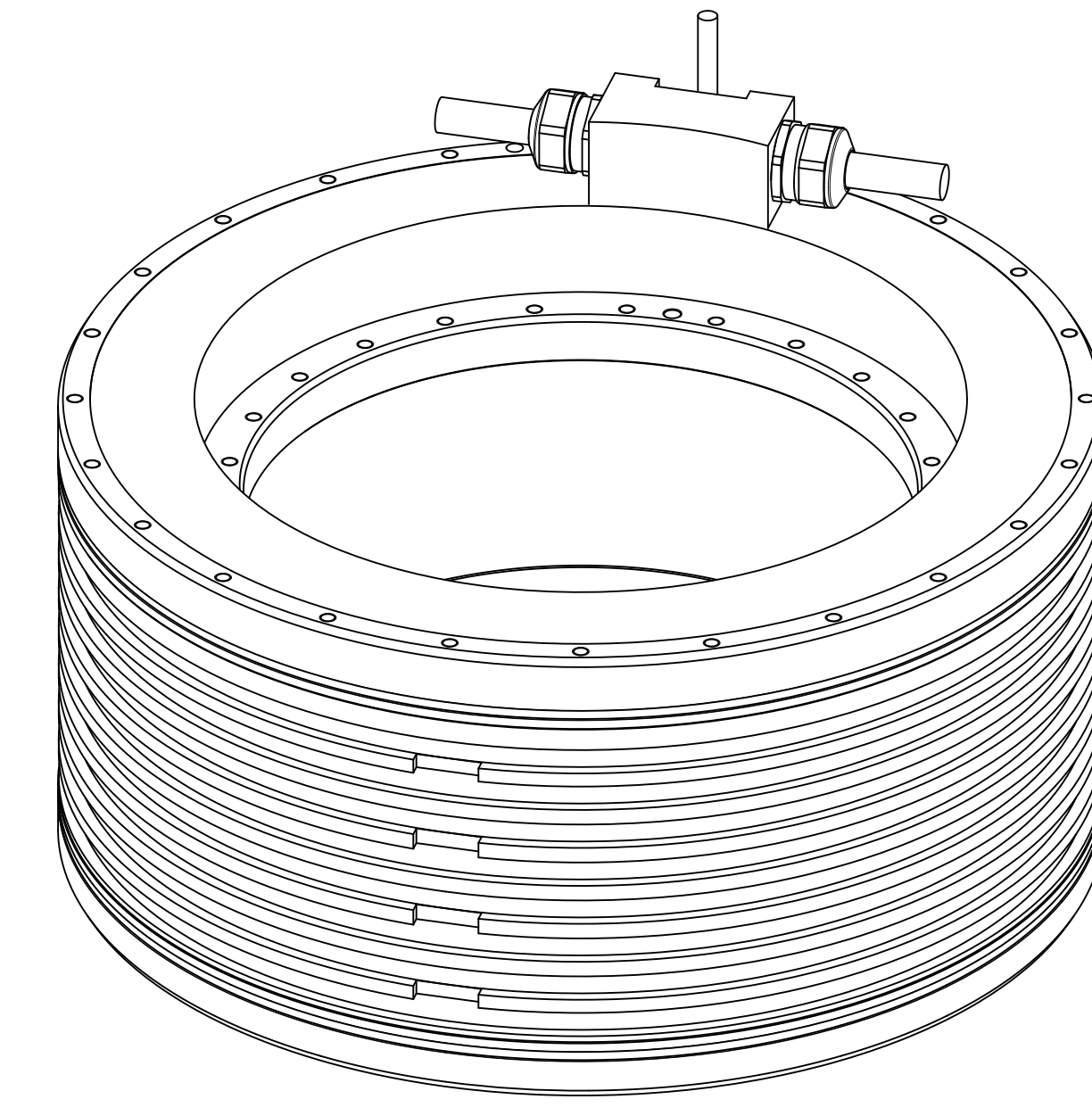
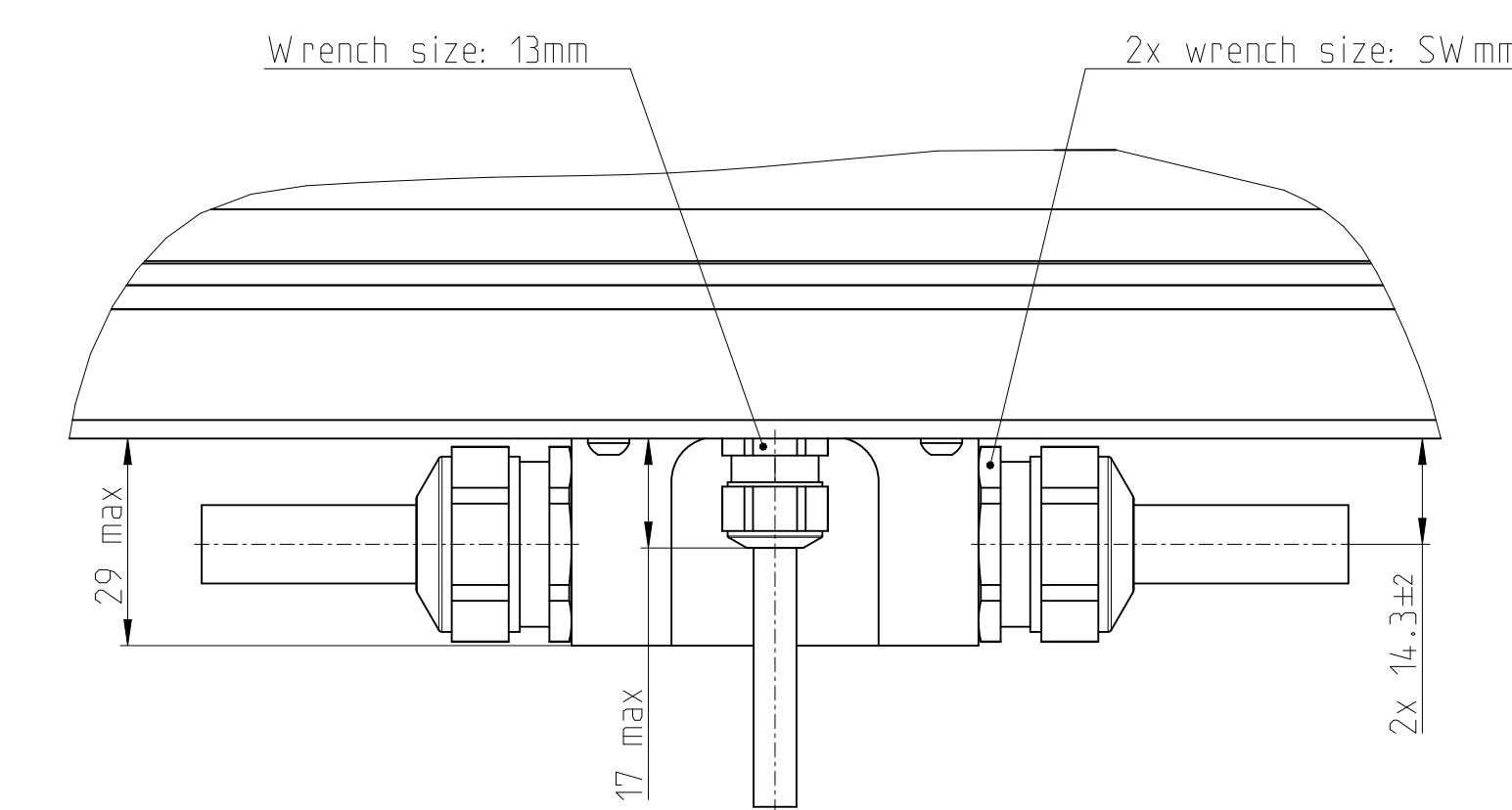
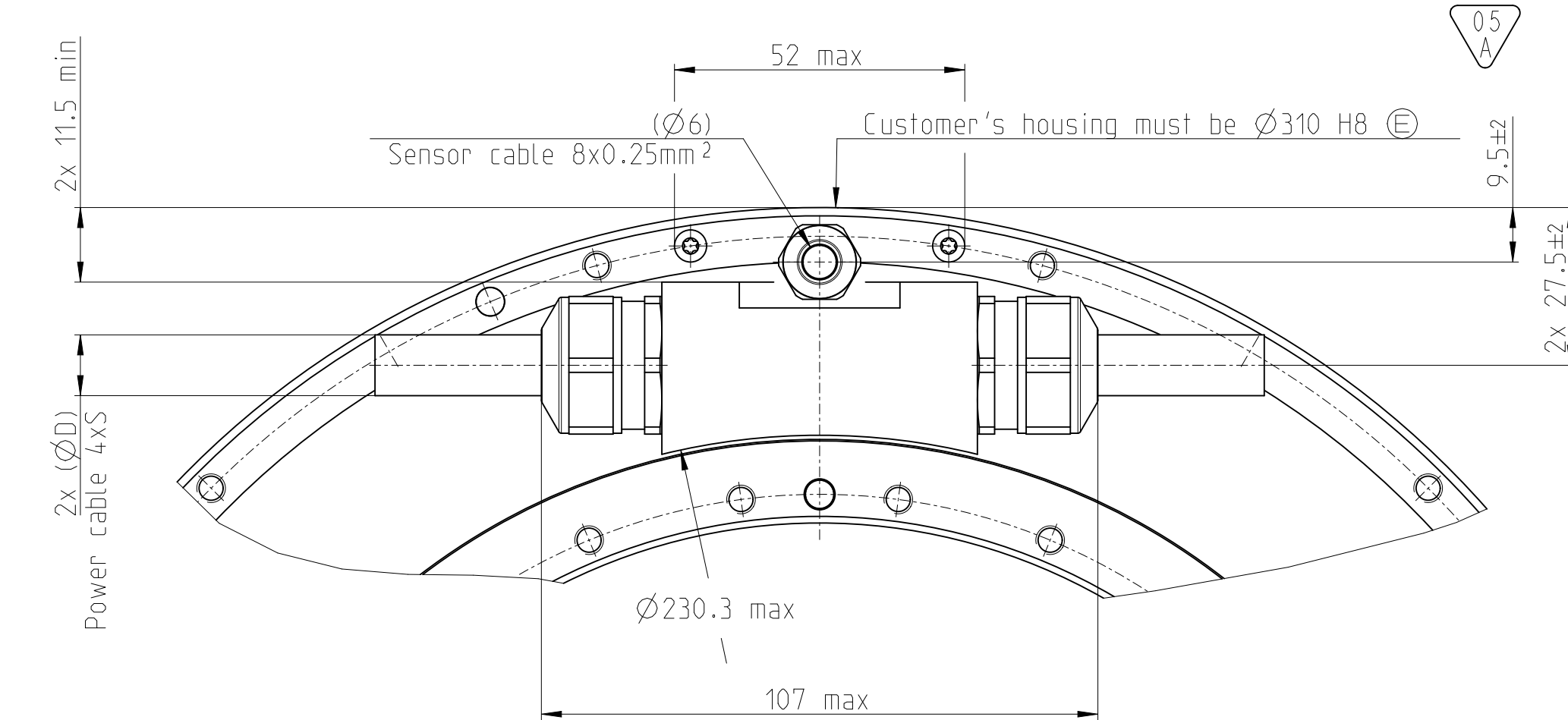
Type 2



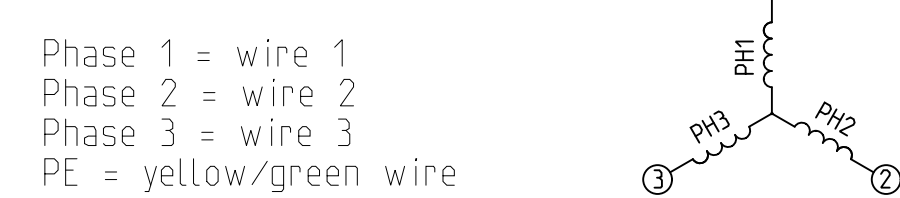
Type 3



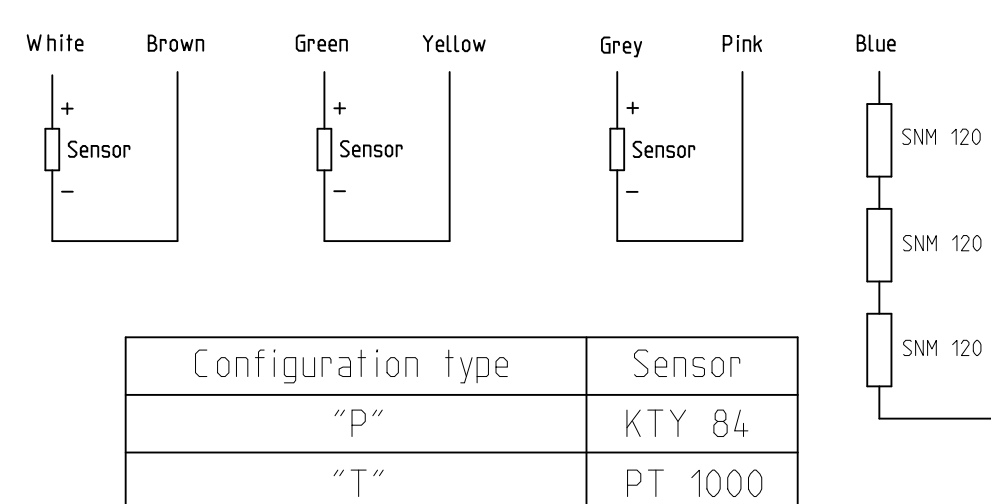
Type 4



Power cable connection



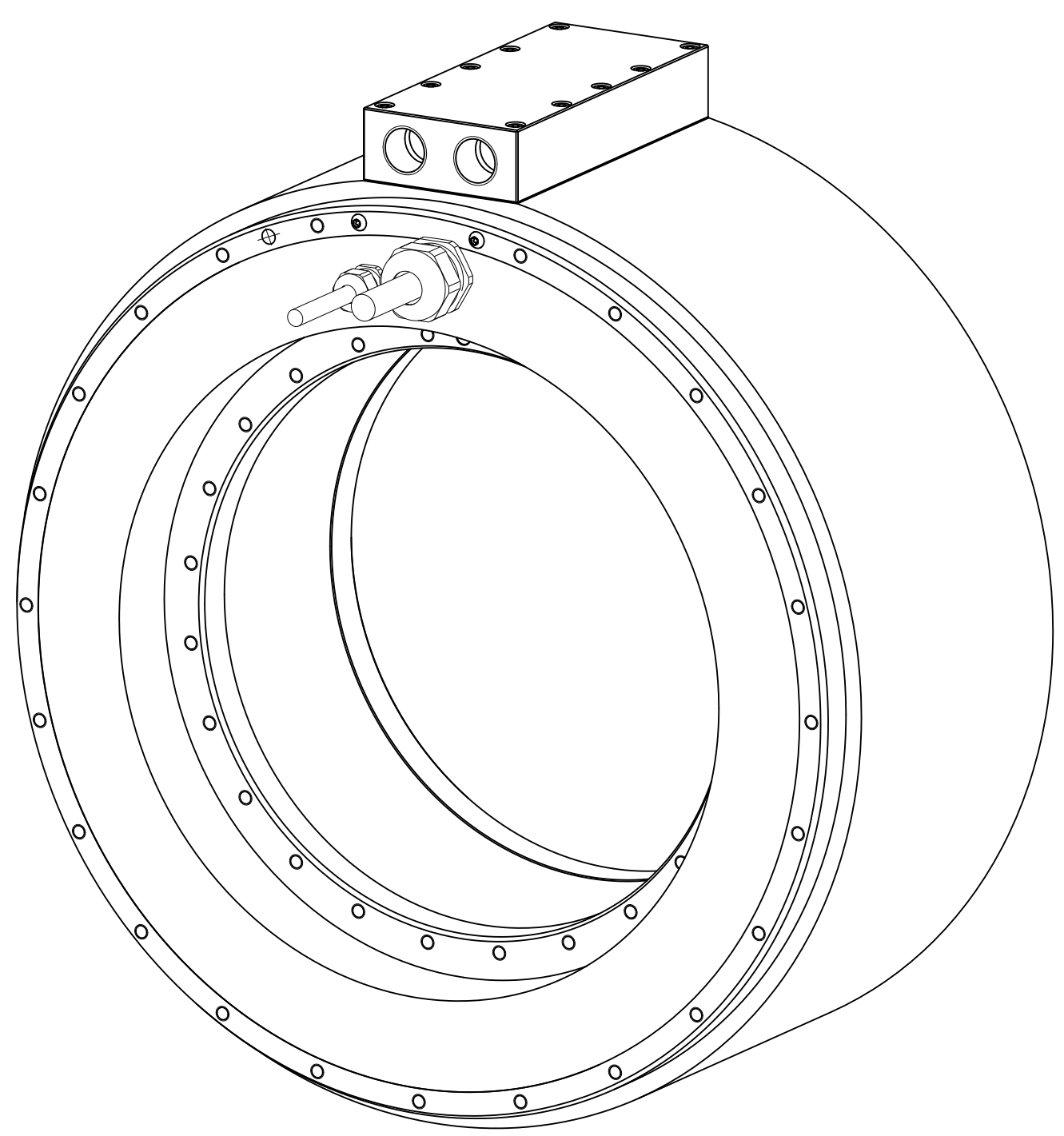
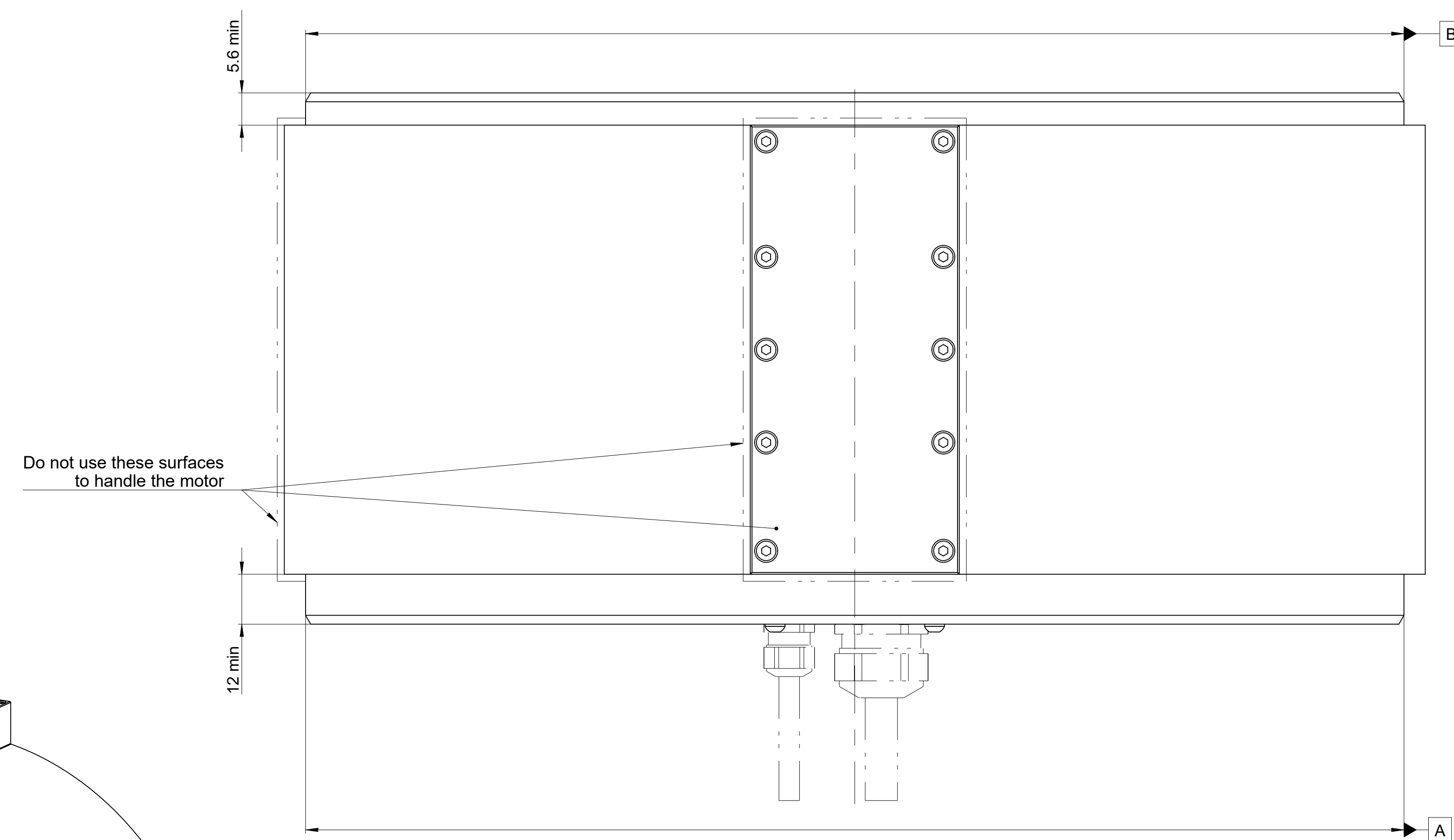
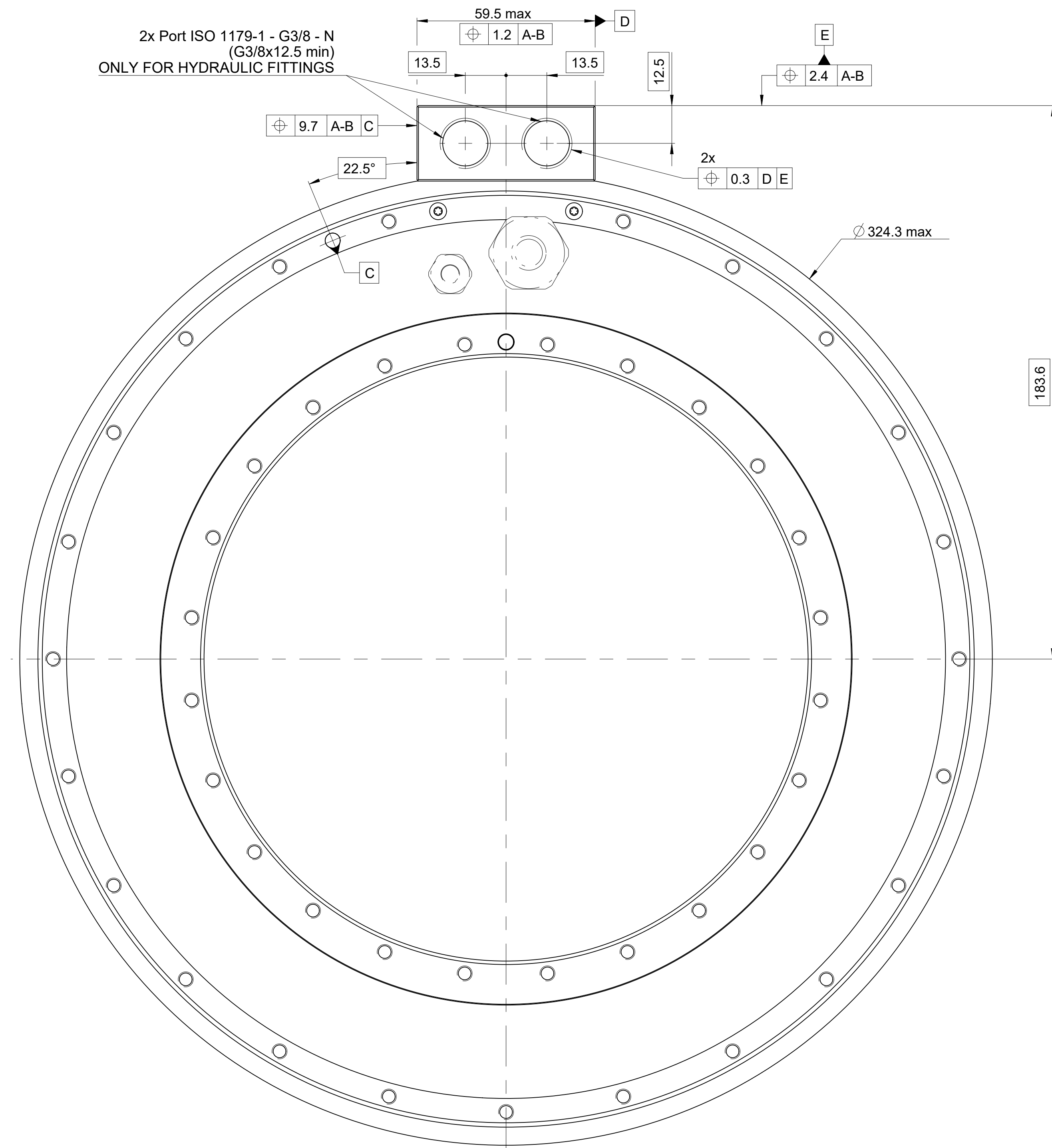
Sensor cable connection: "P" or "T" configuration



Motor family	0140	0210	0290
	0175		0360
Connection	0291		0450
			0530
			0760
			0990
			1221
White - Brown	Phase 1	Phase 3	Phase 2
Green - Yellow	Phase 3	Phase 2	Phase 1
Grey - Pink	Phase 2	Phase 1	Phase 3

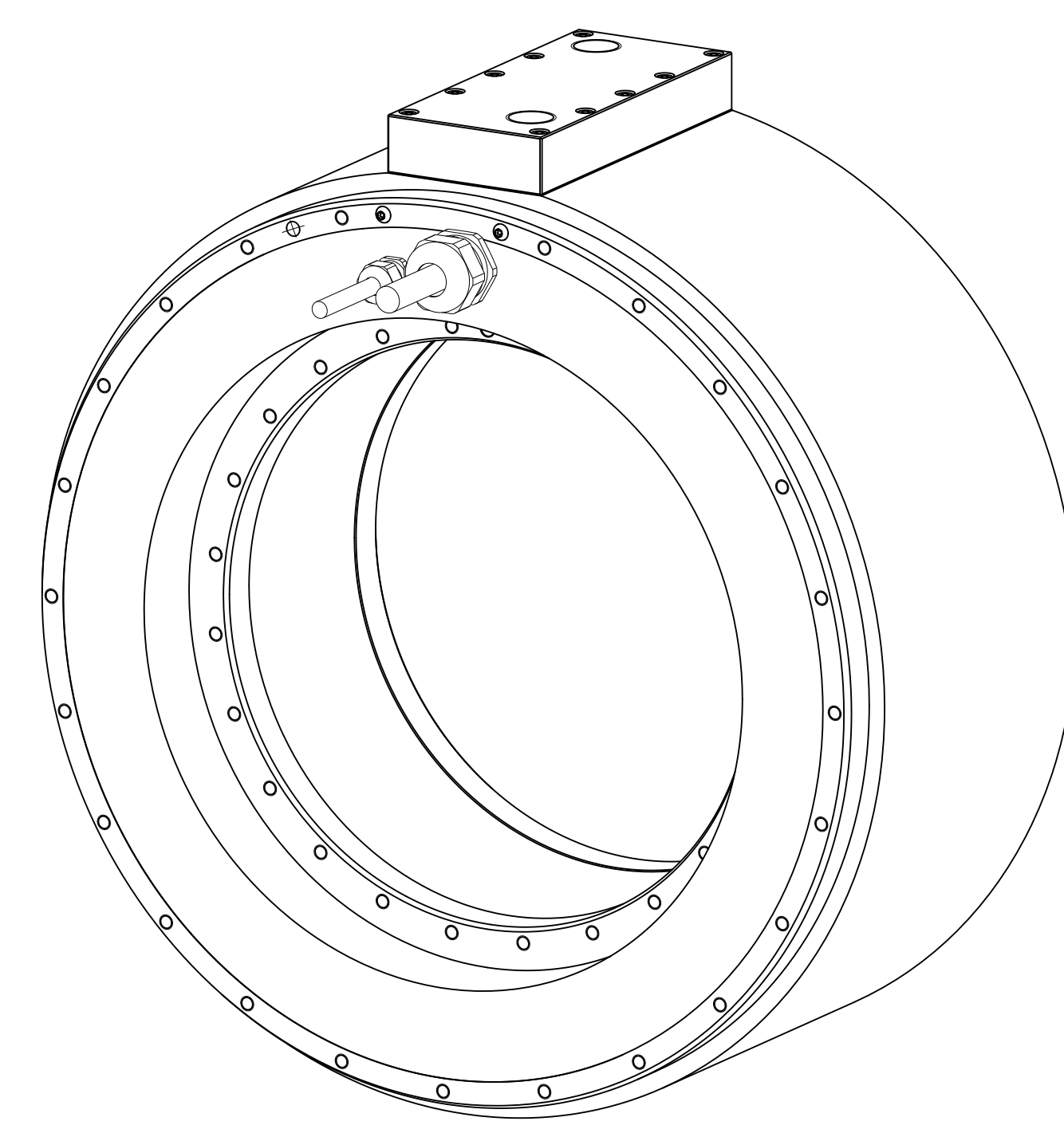
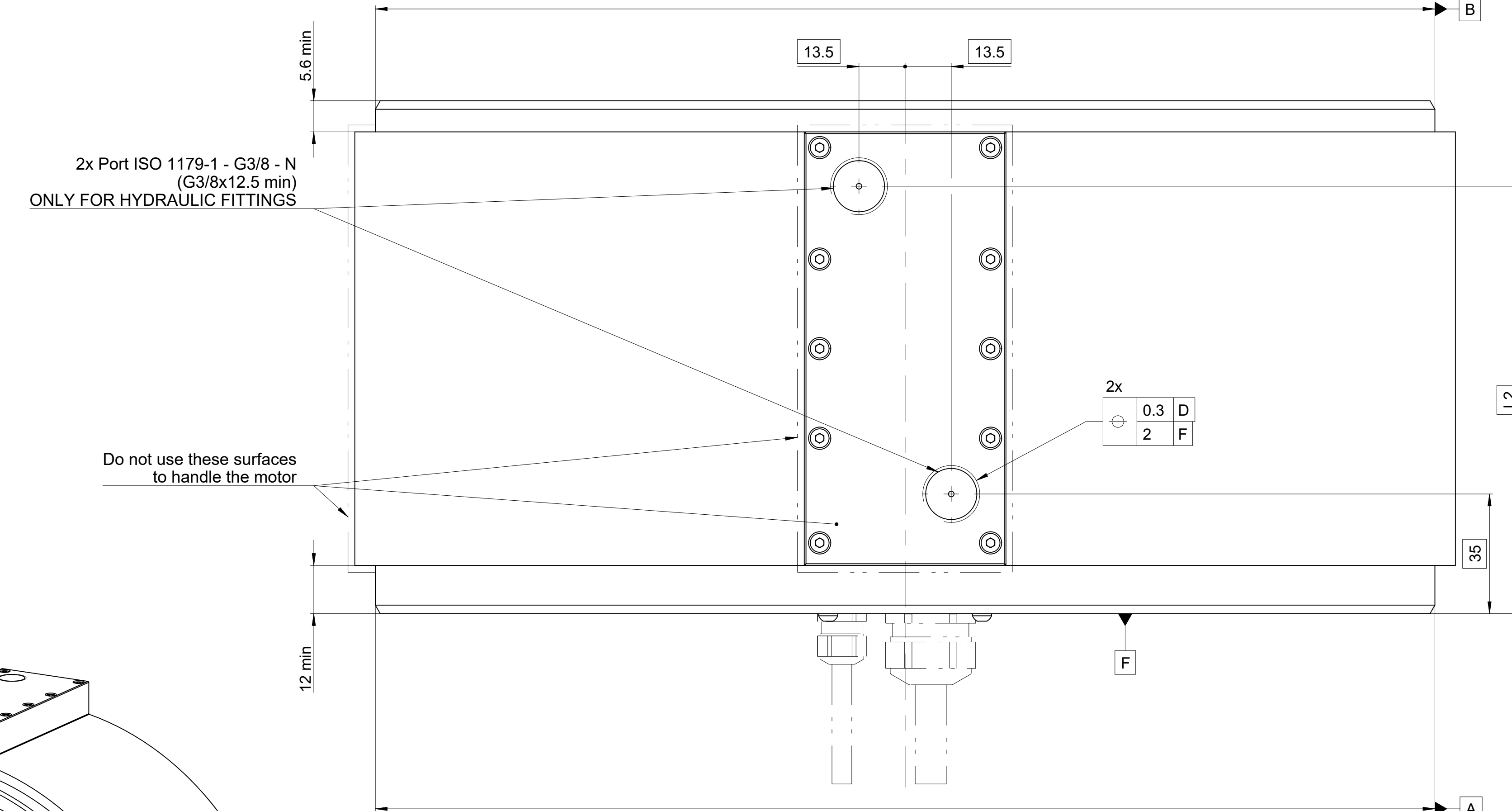
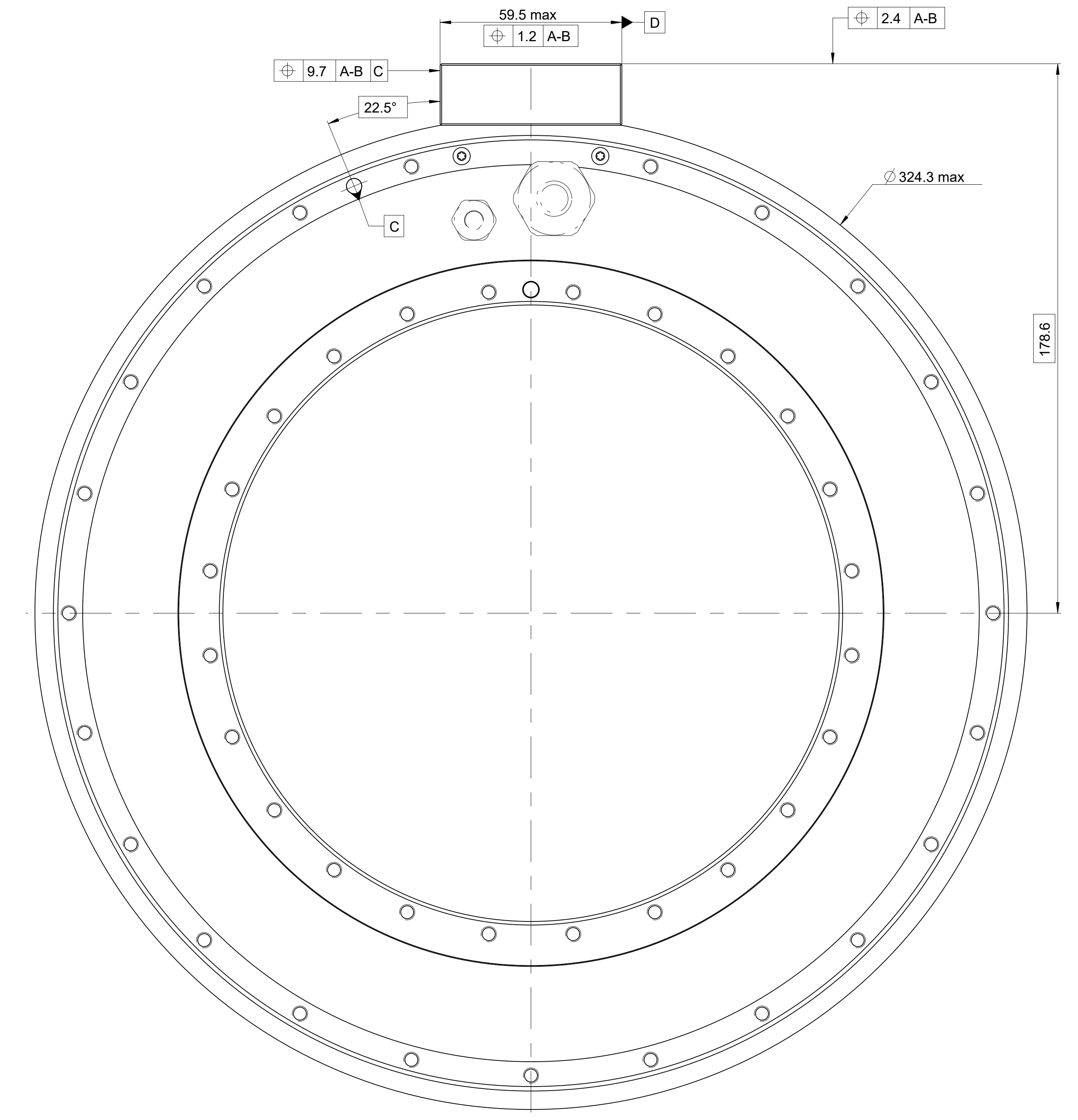
Designation	Output type	S=Wire section [mm²]	L5 [mm]	H1 [mm]	D [mm]	SW [mm]	Bending radius [mm]
TMB+0291-###-SA#S#	Type 1	1.5	-	26.1	9.1	24	Static bending radius for: - sensor cable = 30 - power cable = 4x ØD
TMB+0291-###-SA#E#	Type 2		51.5	34.5			
TMB+0291-###-SB#S#	Type 1		-	26.1			
TMB+0291-###-SB#E#	Type 2		51.5	34.5			
TMB+0291-###-UA#S#	Type 1	2.5	-	26.1	10.6	24	
TMB+0291-###-UA#E#	Type 2		51.5	34.5			
TMB+0291-###-UB#S#	Type 1		-	26.1			
TMB+0291-###-UB#E#	Type 2		51.5	34.5			
TMB+0291-###-UD#S#	Type 3	4	-	26.1	11.9	24	
TMB+0291-###-UD#E#	Type 4		-	-			
TMB+0291-###-SD#S#	Type 1		-	28.1			
TMB+0291-###-SD#E#	Type 2		53.5	34.5			

TMB+0291-###-#####-A#-AA0
 (Annex to interface drawing 1176370: please check for motor and cable output information)



1:2

TMB+0291-###-#####-R#-AA0
 (Annex to interface drawing 1176370: please check for motor and cable output information)



1:2

Designation	L2
TMB+0291-030	55
TMB+0291-050	75
TMB+0291-070	95
TMB+0291-100	125
TMB+0291-150	175
TMB+0291-200	225

Text	ID number	C11103005
Original drawing	Change No.	11.04.21
Scale: 1:1	Released	
Dimensions in mm	Tolerances as per ISO 8015:2011	Tolerances series ISO 8015:2011
1:1	AO	0.2
ETEL S.A. 2112 Mörsli SWITZERLAND		1220202-03-A-01